

INTEL

LGA2066 · LGA2011-v3 · LGA2011

INTEL

LGA2066 · LGA2011-v3 · LGA2011

INTEL

LGA2066 · LGA2011-v3 · LGA2011

AMD

AM5 · AM4

AMD

AM5 · AM4

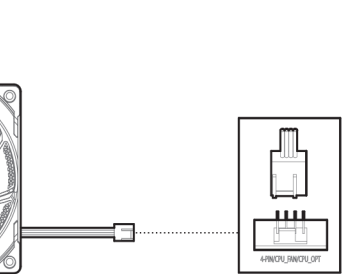
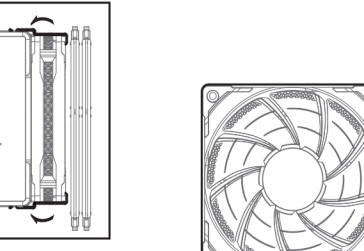
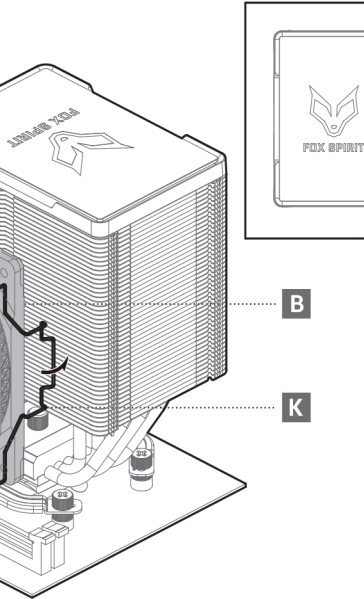
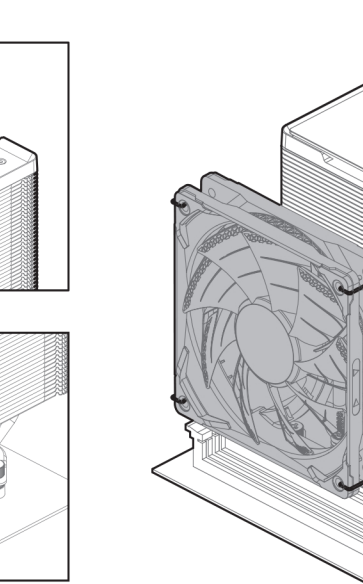
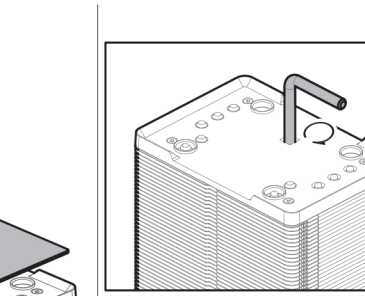
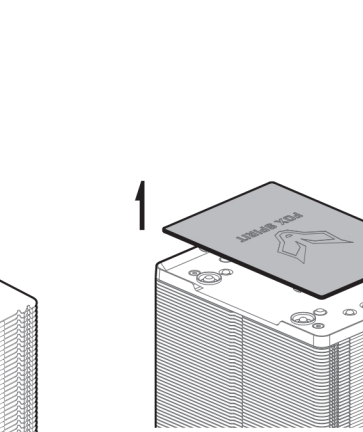
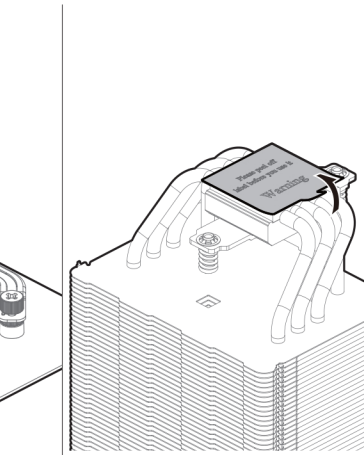
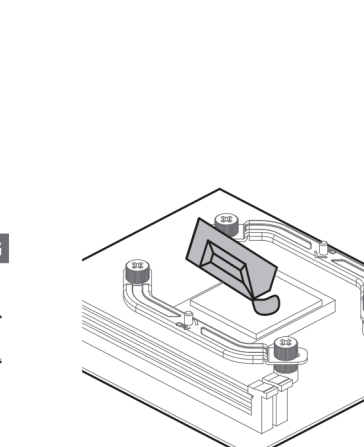
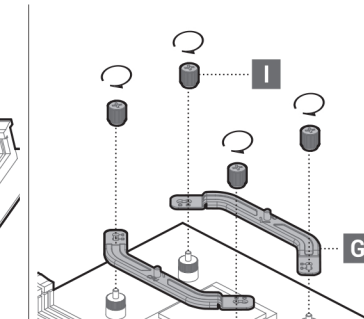
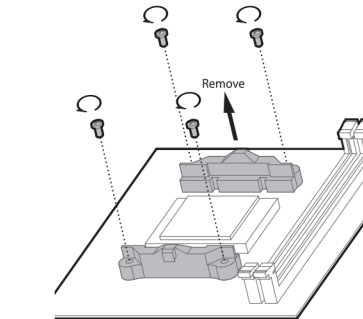
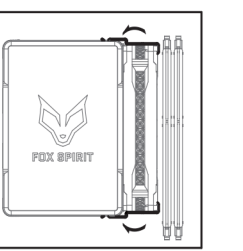
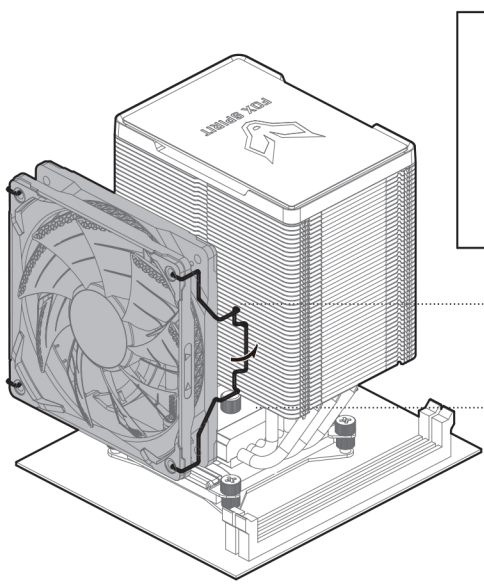
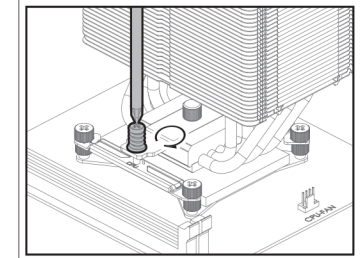
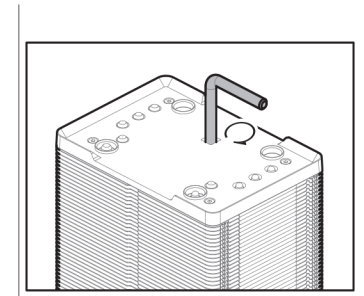
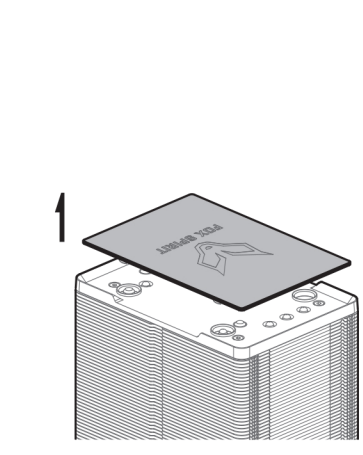
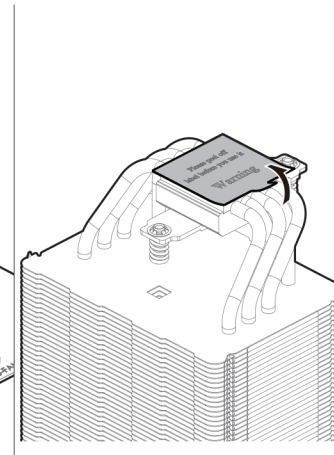
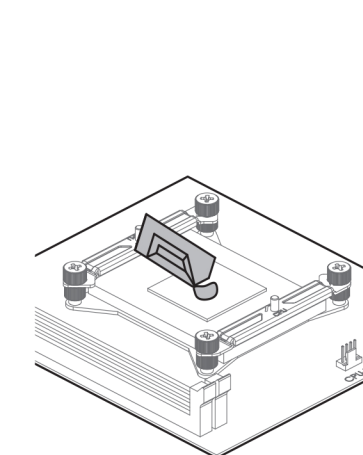
AMD

AM5 · AM4

AMD

AM5 · AM4

Connection



B

K

Remove

H

I

G

H

D:AM5/AM4

B

K

M














4PIN_CPU_OPT

4PIN_CPU_OPT

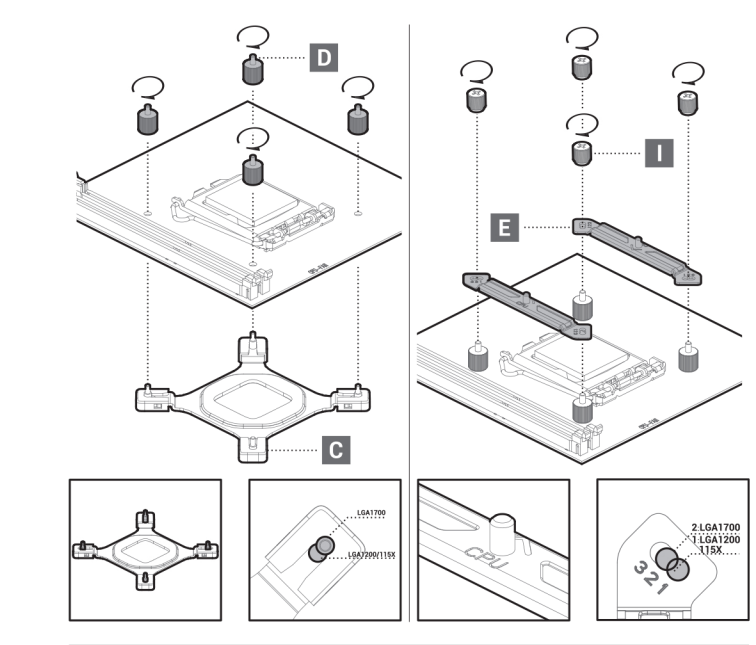


FOX SPIRIT XT120 BLACK

INTEL & AMD

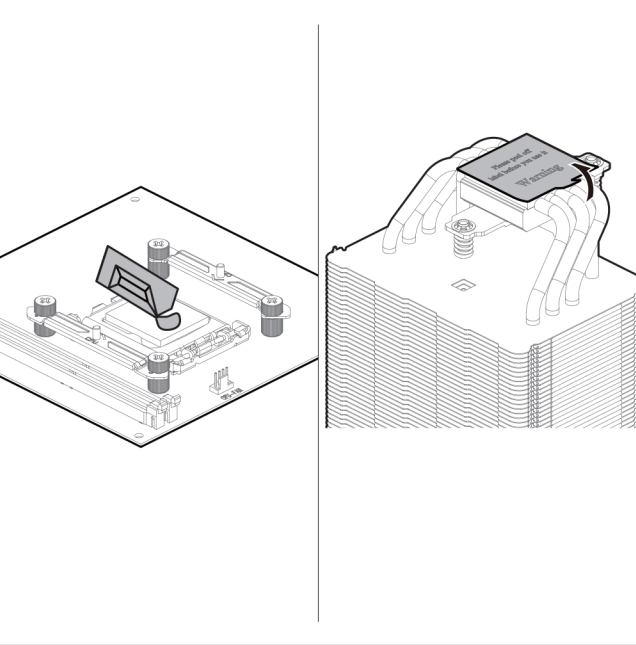
A  x1	B  x1	C  INTEL x1	D  INTEL x4
E  INTEL x2	F  INTEL x4	G  AMD x2	H  AMD x4
I  x4	J  x1	K  x4	L  x1
M  Low-Speed Adapter (LSP) x1			

INTEL LGA1700 · LGA1200 · LGA1151 · LGA1150 · LGA1155



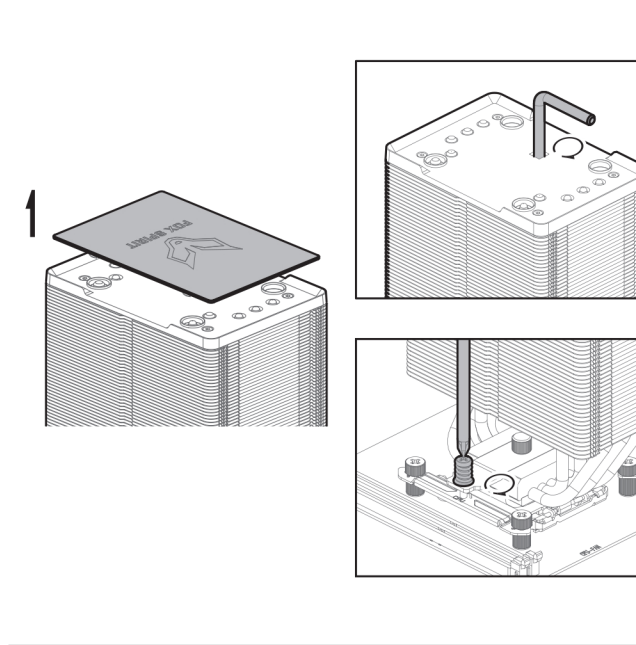
Diagrams showing the installation of the fan and mounting brackets for Intel LGA sockets. The diagrams illustrate the placement of the fan (A), the fan mounting bracket (B), the CPU mounting bracket (C), and the CPU mounting pins (D, E, F, G, H, I, J, K, L, M).

INTEL LGA1700 · LGA1200 · LGA1151 · LGA1150 · LGA1155



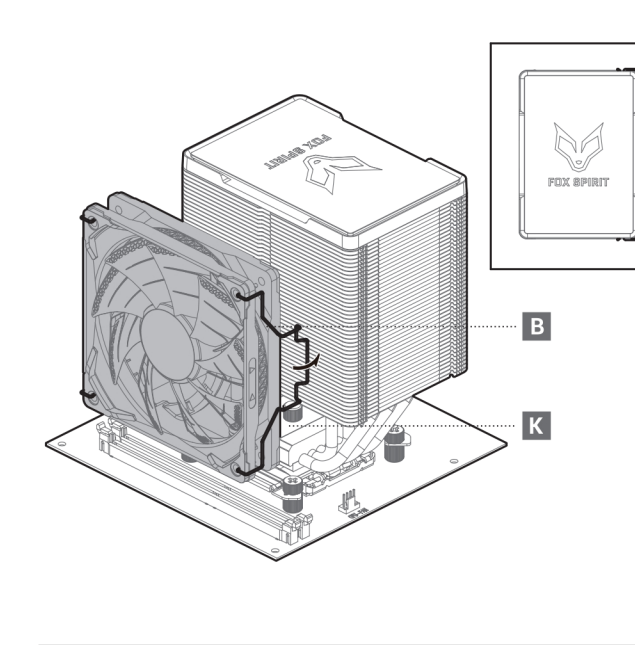
Diagrams showing the installation of the fan and mounting brackets for Intel LGA sockets. The diagrams illustrate the placement of the fan (A), the fan mounting bracket (B), the CPU mounting bracket (C), and the CPU mounting pins (D, E, F, G, H, I, J, K, L, M).

INTEL LGA1700 · LGA1200 · LGA1151 · LGA1150 · LGA1155



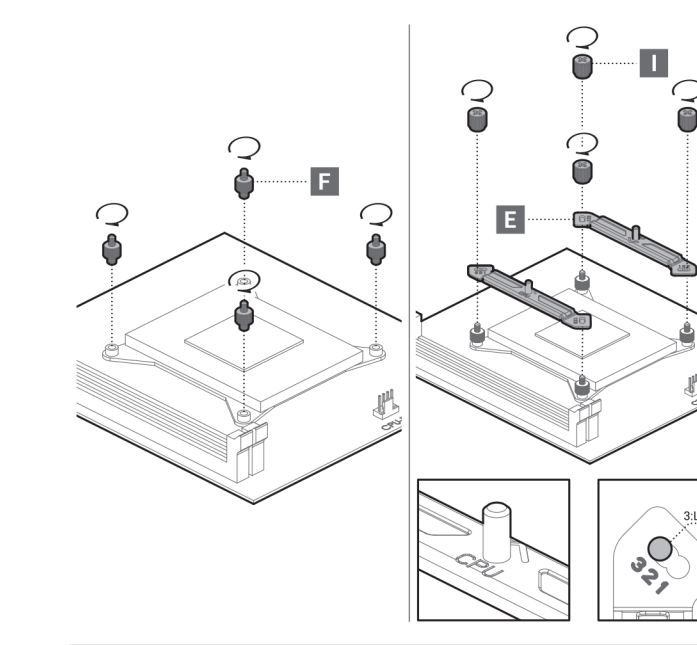
Diagrams showing the installation of the fan and mounting brackets for Intel LGA sockets. The diagrams illustrate the placement of the fan (A), the fan mounting bracket (B), the CPU mounting bracket (C), and the CPU mounting pins (D, E, F, G, H, I, J, K, L, M).

INTEL LGA1700 · LGA1200 · LGA1151 · LGA1150 · LGA1155



Diagrams showing the installation of the fan and mounting brackets for Intel LGA sockets. The diagrams illustrate the placement of the fan (A), the fan mounting bracket (B), the CPU mounting bracket (C), and the CPU mounting pins (D, E, F, G, H, I, J, K, L, M).

INTEL LGA2066 · LGA2011-v3 · LGA2011



Diagrams showing the installation of the fan and mounting brackets for Intel LGA sockets. The diagrams illustrate the placement of the fan (A), the fan mounting bracket (B), the CPU mounting bracket (C), and the CPU mounting pins (D, E, F, G, H, I, J, K, L, M).

Importé par / Imported by / Importado por :
 GROUPE LDLC
 2 rue des Erables
 69760 Limonest, FRANCE
 Fabriqué en RPC / Made in the PRC / Fabricado en la RPC

