



**FOX SPIRIT**

**PGN340**

# **USER'S GUIDE**

**Curved Monitor UWQHD 34"**



## ***Preface***

Every effort has been made to ensure that the information in this document is accurate. However, the manufacturer and the distributor of this product assume no responsibility for any error, omission.

**Please preserve this manual for the life of the equipment.**

**Congratulations on your purchase!**



### **DECLARATION OF CE CONFORMITY MARKING**

Product in accordance with the applicable regulations on the European territory, with the requirements EMC 2014/30/EU and LVD 2014/35/EU.

## **RoHS**

This product is RoHS (Restriction of Hazardous Substances) compliant.

### **INFORMATION ABOUT RECYCLING**



This product bears the selective sorting symbol for waste electrical and electronic equipment (WEEE).

This means that this product must be handled pursuant to European Directive in order to be recycled or dismantled to minimize its impact on the environment.

For further information, please contact your local or regional authorities.

Electronic products not included in the selective sorting process are potentially dangerous for the environment and human health due to the presence of hazardous substances.



The terms HDMI and HDMI High-Definition Multimedia Interface, and the HDMI Logo are trademarks or registered trademarks of HDMI Licensing Administrator, Inc. in the United States and other countries.

# TABLE OF CONTENT

## SAFETY NOTICE

- PRECAUTIONS

- MAINTENANCE AND CLEANING

- SPECIAL NOTES ON LCD MONITORS

## PACKAGE CONTENT

## PRODUCT OVERVIEW

- MONITOR BUTTONS

- LED INDICATOR

- MONITOR PORTS

## STAND INSTALLATION

## CABLE MANAGEMENT

## WALL MOUNTING

## CONNECTIVITY OPTIONS

- VIDEO OUTPUT

- AUDIO OUTPUT

- POWER-UP

- ADAPTATIVE SYNC

## OSD MENU

- PRESENTATION

- OSD MENU FUNCTIONS

- SWITCH TO GAMEPLUS AND ECO MODE

## PIP (PICTURE IN PICTURE) INPUT INFORMATION

## PBP (PICTURE BY PICTURE) RESOLUTION INFORMATION

## TROUBLESHOOTING

## TECHNICAL SPECIFICATIONS

## SAFETY NOTICE

### PRECAUTIONS

- Please read all the instructions carefully before using this product.
- To reduce any fire or electrical risk, do not spill any liquids into the cabinet or use your monitor near water.
- Do not remove monitor back cover. There are no user serviceable parts inside and opening or removing covers may expose you to dangerous shock hazards or other risks.
- Do not place this product on a sloping or unstable cart, stand or table, as it may fall, causing serious damage to the monitor.
- Do not put anything on top of the monitor
- If the power supply is lost, do not try to repair it. Please contact the distributor.
- Before use, make sure all the cables are well plugged and not damaged. In case of any damage, please contact the distributor.
- Only the type of power source indicated on the nameplate applies to this display. In you have any questions on the type of power source you use, please consult the dealer of the display.
- Use an appropriate outlet, complying with the local electrical norms.
- Do not place any heavy objects on the power cord. Damage to the cord may cause shock or fire.
- Do not use monitor in high temperature, humid, dusty, or oily areas
- In case of storm or prolonged non-use, unplug the screen to protect against any overvoltage damage.
- When disconnecting the power cord of display or power adapter, always remember to hold the plug instead of pulling the wire to unplug the power cord.
- Do not insert objects of any kind into the cabinet slots, as they may touch dangerous voltage points, which can be harmful or fatal or may cause electric shock, fire or equipment failure.
- Use a power cord that matches the AC voltage of the power outlet (100 ~ 240 V CA ), that has been approved, and complies with the safety standard of your country.
- The power cable connector is the primary means of detaching the system from the power supply. The monitor should be installed close to a power outlet, which is easily accessible.
- Any technical issue, please contact the distributor.



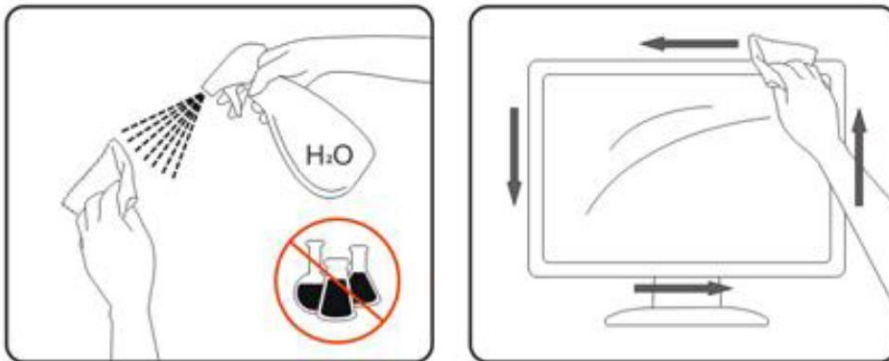
**CAUTION** : DO NOT REMOVE MONITOR BACK COVER. Opening or removing cover may expose you to dangerous voltages and other hazards.



There are no user serviceable parts inside and opening or removing covers may expose you to dangerous shock hazards or other risks. Refer all servicing to qualified service personnel.

## MAINTENANCE AND CLEANING

- For safety reasons, turn off and unplug the display before cleaning.
- Clean the panel surface with a lint-free, non-abrasive cloth. Treat stubborn stains with a wet cloth and a gentle specific solution.
- Avoid using cleaning products containing alcohol or acetone. Use a cleaning solution specifically made for cleaning LCD screens. Never spray any liquid directly on the screen. It could fall into the display and cause an electrical shock.
- When cleaning, ensure that any liquid enters the display housing. Please make sure only soft cloths are used for cleaning purposes. A hard cloth could damage the panel.
- Clean the housing with a slightly humidified cloth and a gentle detergent, then wipe it with a dry and clean cloth.
- Do not insert anything in the unit, and never spill liquid of any kind on it.



## **SPECIAL NOTES ON LCD MONITORS**

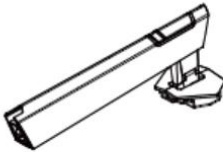
The following symptoms are normal with LCD monitor and do not indicate a problem.

- Due to the nature of the fluorescent light, the screen may flicker during initial use. Turn off the Power Switch and then turn it on again to make sure the flicker disappears.
- You may find slightly uneven brightness on the screen depending on the desktop pattern you use.
- Due to the nature of the LCD screen, an afterimage of the previous screen may remain after switching the image, when the same image is displayed for hours. In this case, the screen is recovered slowly by changing the image or turning off the Power Switch for hours.
- If the screen suddenly flashes erratically or the backlighting fails, please contact your dealer. Do not attempt to repair the monitor itself.

**PACKAGE CONTENT**



Display screen



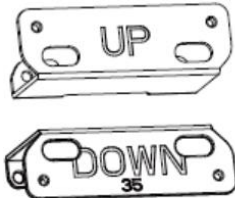
Stand



Base



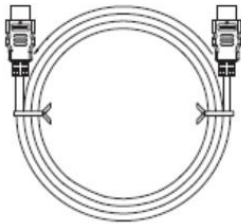
Screws  
(PM4x16mm,Screws\*4)



VESA connector up  
VESA connector down



DP Cable  
DP1.4 Cable,1.5m x1



Cable HDMI  
(HDMI 2.0 Cable,1.5m x1)

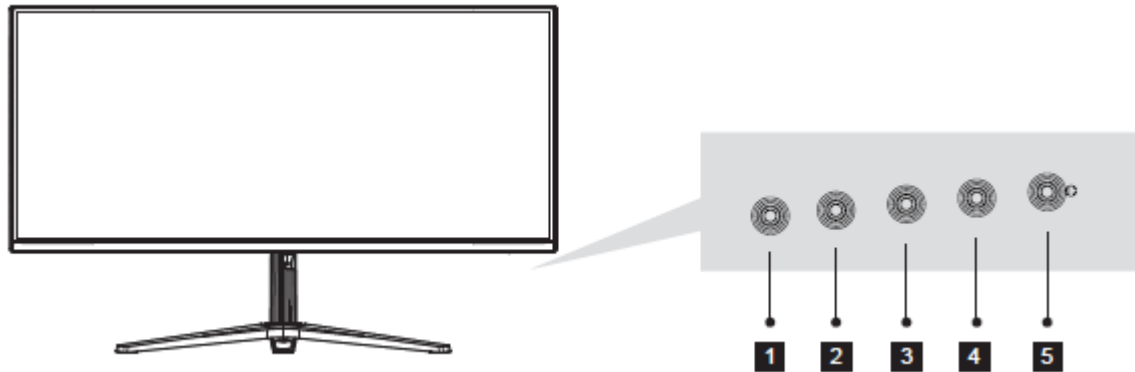


Power Cable  
(100-240~, 50/60Hz, 2.0A - 1.8m x1)



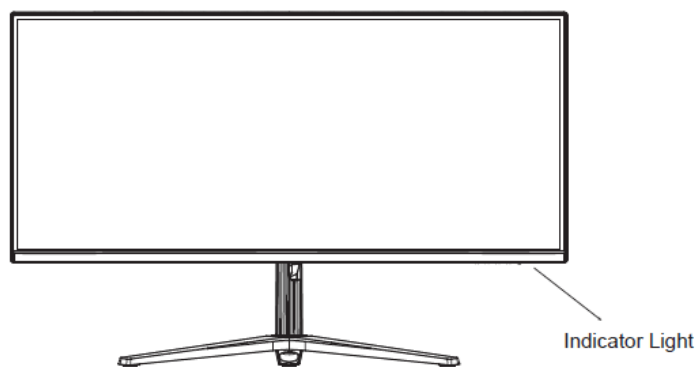
## PRODUCT OVERVIEW

### MONITOR BUTTONS



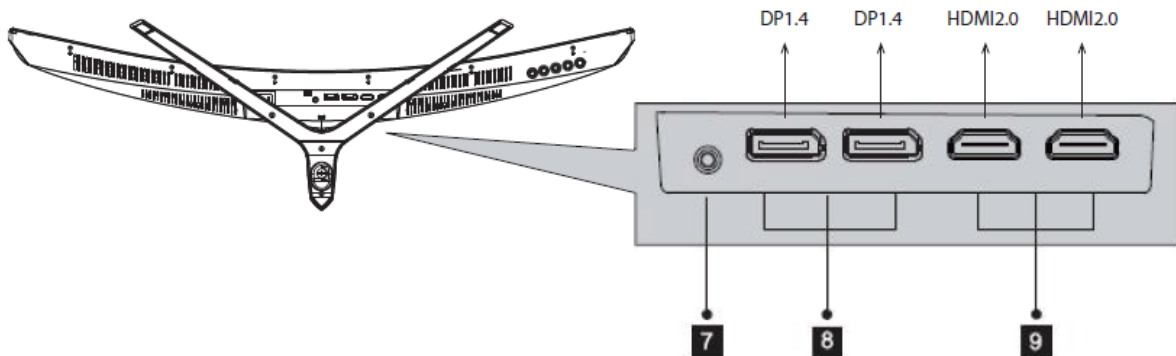
<b>1</b>	<b>Menu button:</b> Press to enter sub-menus/ quickly enter the main menu
<b>2</b>	<b>Down button:</b> Press to move down in the menu/quickly enter the gameplus mode
<b>3</b>	<b>Up button:</b> Press to move up in the menu/quickly enter the Eco mode
<b>4</b>	<b>Exit/hot key:</b> Press to return to the previous menu/quickly switch the color format
<b>5</b>	<b>Power button:</b> Press to turn on/off the monitor

### LED INDICATOR



Steady blue light indicates the power is on and the monitor is operating normally. Flashing blue light indicates that there is no video source, or no horizontal or vertical signal detected or low voltage. Please make sure your computer is turned on and all video cables are fully plugged in and/or connected.

## MONITOR PORTS



**7 Audio Out** : Insert an audio jack connector into this port to receive the audio signal from your monitor.

**8 DP (x2)**: Insert one end of the DP cable into the DP output device connect the other end to the monitor's DP port.

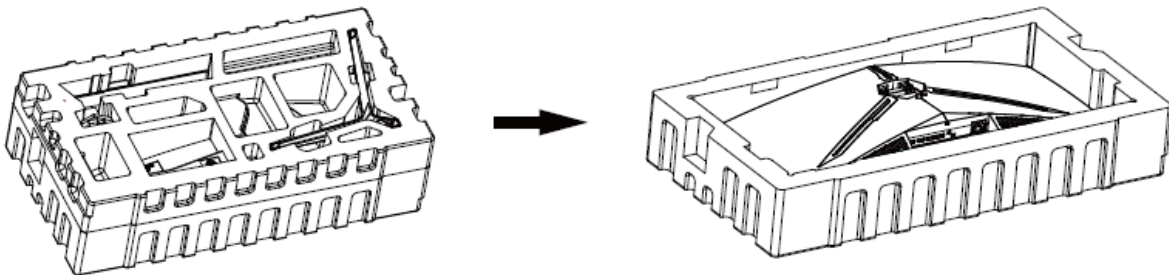
**9 HDMI (x2)**: Insert one end of the HDMI cable into the HDMI output device connect the other end to the monitor's HDMI port.

## STAND INSTALLATION

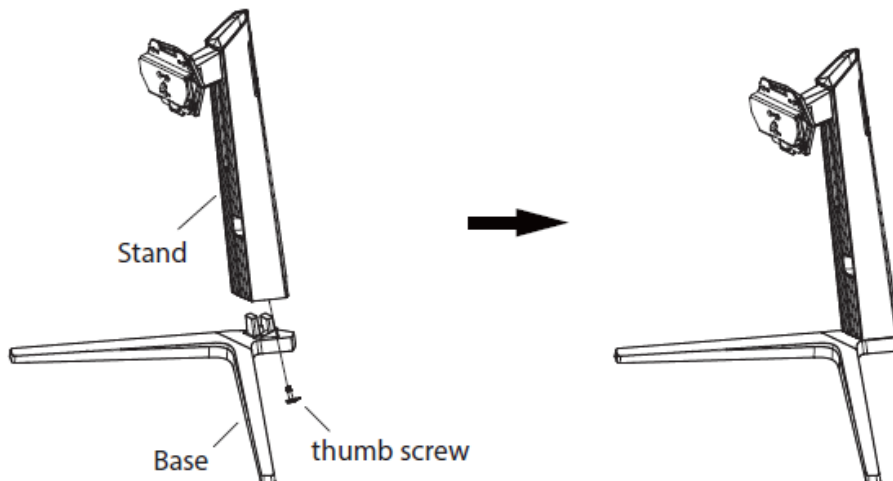


**Keep the protective foam under your monitor while installing the stand.**

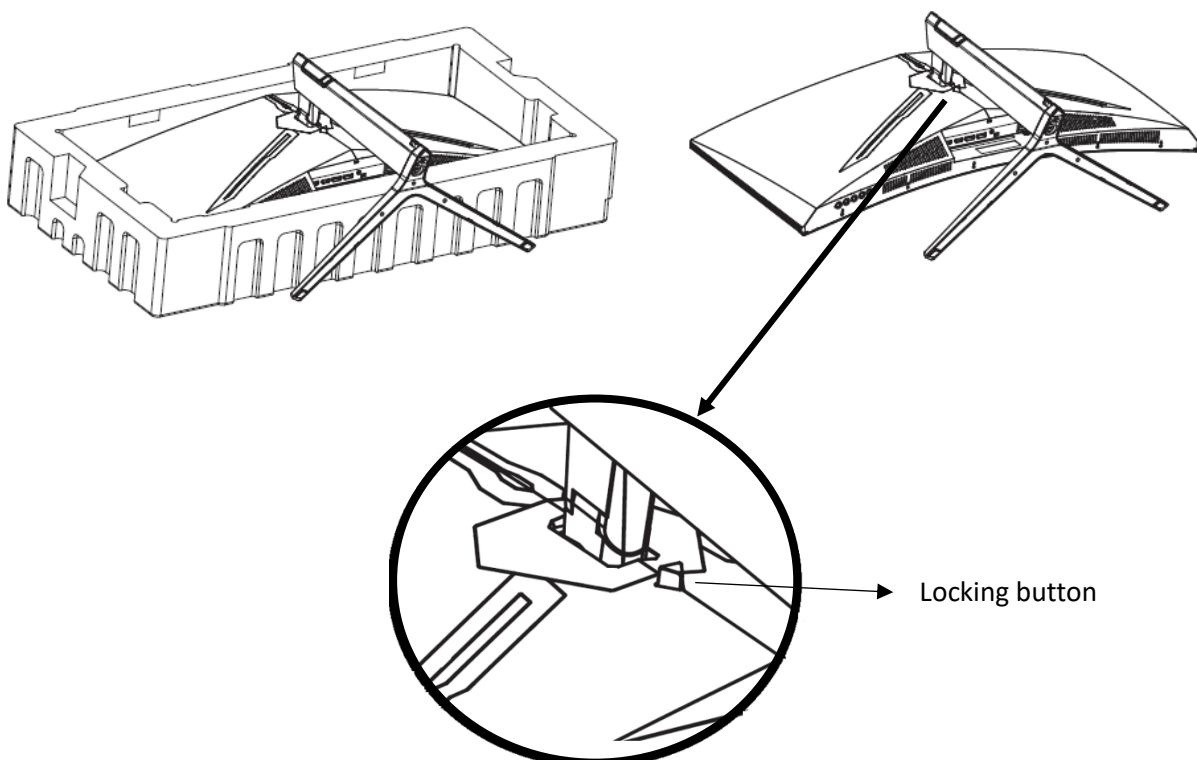
1. Open the carton package, take out the foam and put it flat on the tabletop. Keep the foam underneath the monitor before attaching the stand.



2. Take out the stand stem and base and use the thumb screw of the base to lock the stand tightly. (See the figure below)

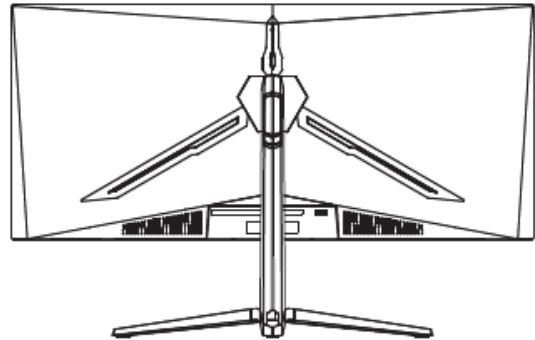


3. Put the assembled stand and base assembly into the slot on the rear case, press the stand lightly to clip the shaft assembly into place, the locking button will click to ensure a tighten assembling. Hold the middle of the stand with hand and gently lift the monitor twice to make sure the monitor does not come loose. If disassembling, reverse the steps.



Note: Push fast-intallation button (on the back cover) will quickly take our stands. Make sure that it is lying on a flat surface before removing it.

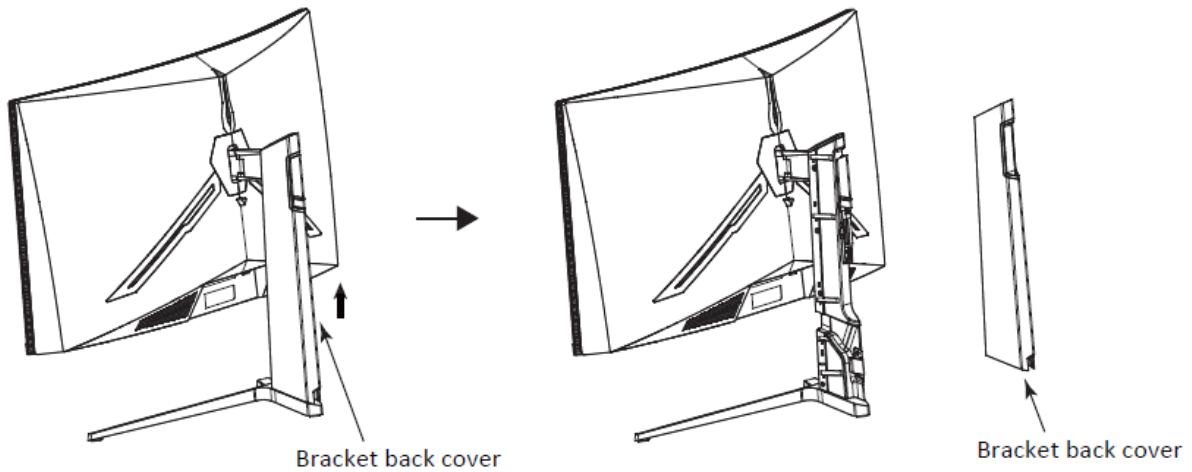
4. After assembly, simply hold the stand with hand to stand the monitor upright.



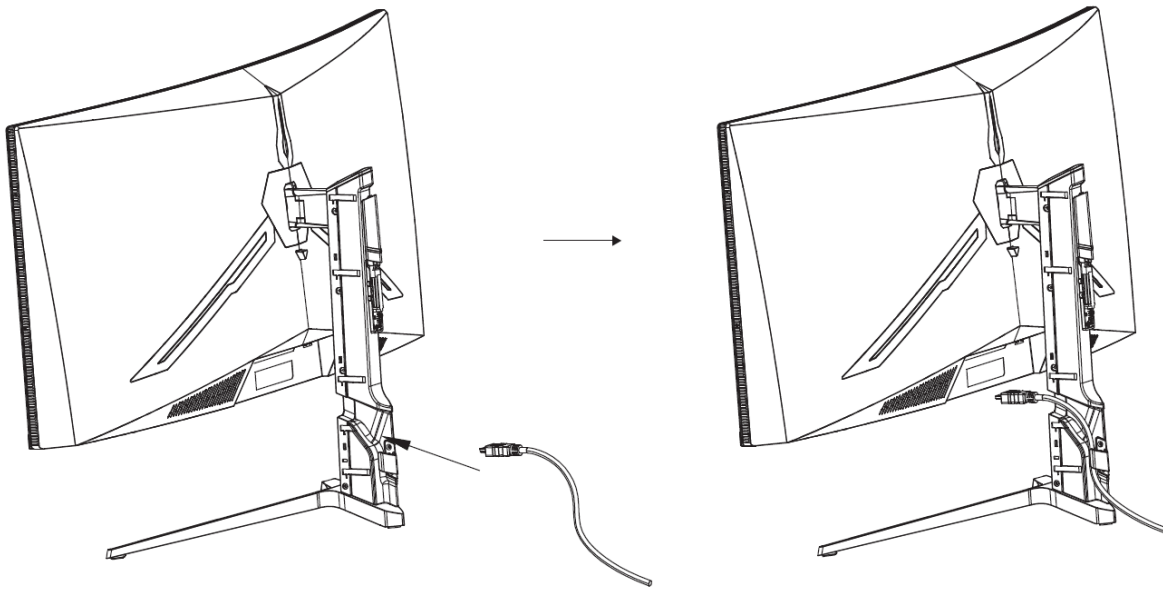
Note: During standing of the whole monitor, do not press the liquid crystal screen with hand to avoid damage to the screen.

## CABLE MANAGEMENT

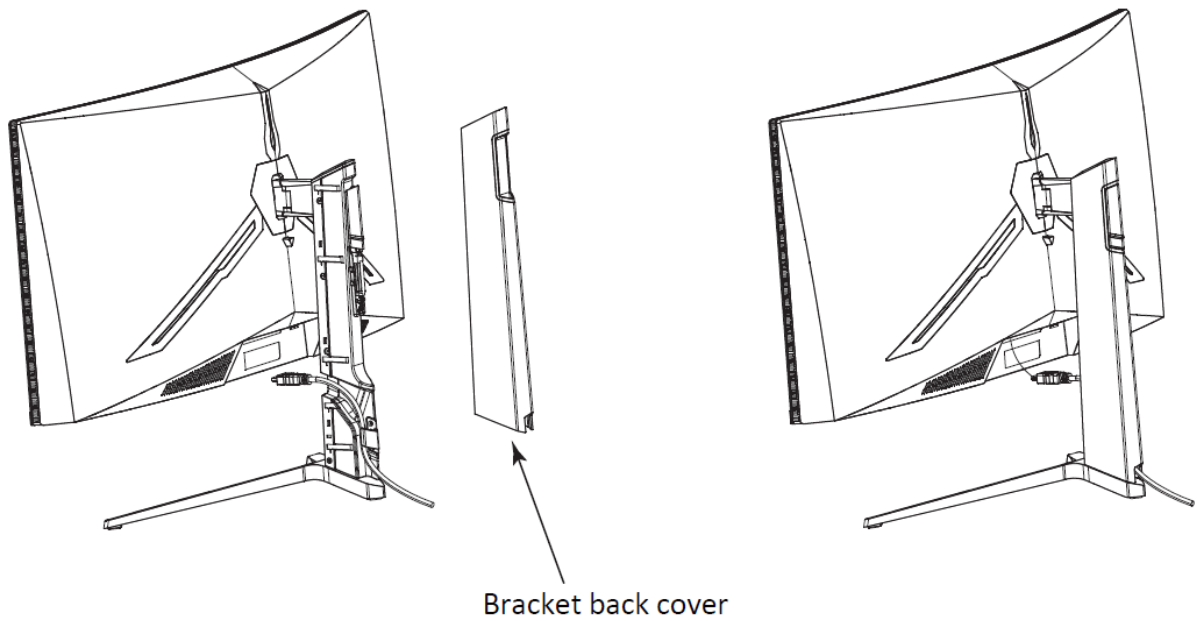
1. After the installation is complete, the monitor needs to be connected with the cables. As shown below, push up in the direction of the arrow, and then take out the bracket back cover.



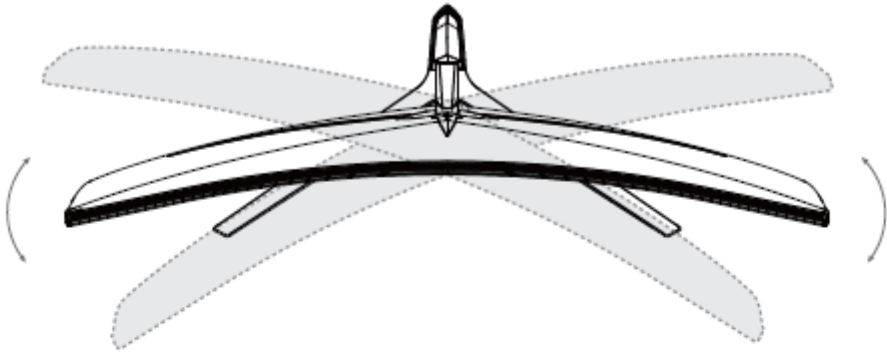
2. Put the cables into the slot of the bracket.



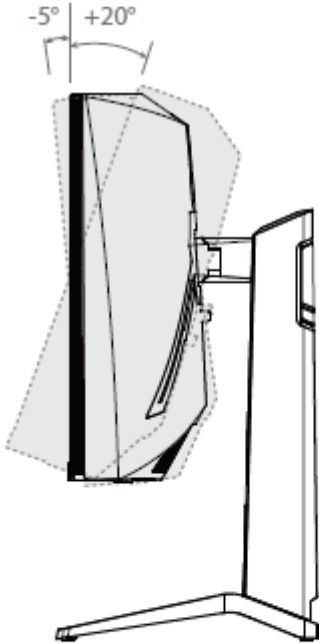
3. The back cover of the bracket is put back on the machine according to the reverse operation of step 1, and the cables are inserted into the corresponding machine ports.



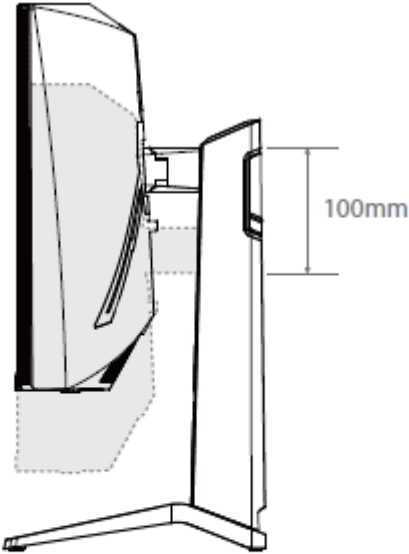
# ADJUSTING THE MONITOR



Rotation angle  
 $-20.0^{\circ}(\pm 2.0^{\circ}) - +20^{\circ}(\pm 2.0^{\circ})$



Tilting angle  
 $-5.0^{\circ}(\pm 2.0^{\circ}) - +20^{\circ}(\pm 2.0^{\circ})$



Height range  
100mm ( $\pm 5.0$ mm)



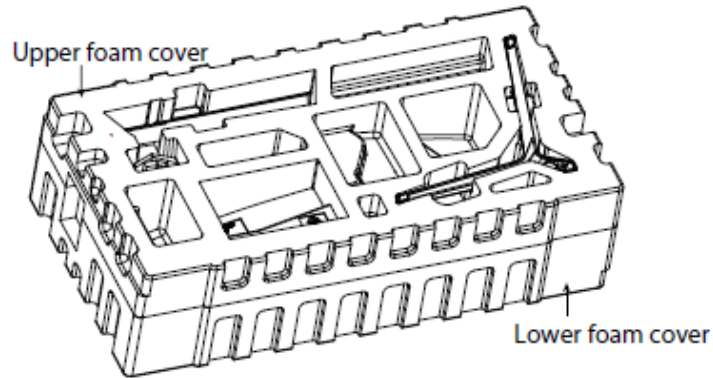
Note: Maintain the stand base when adjusting the rotation angle / tilt angle or the height. Do not touch the screen while adjusting, cracks or damages could occur.

## WALL MOUNTING

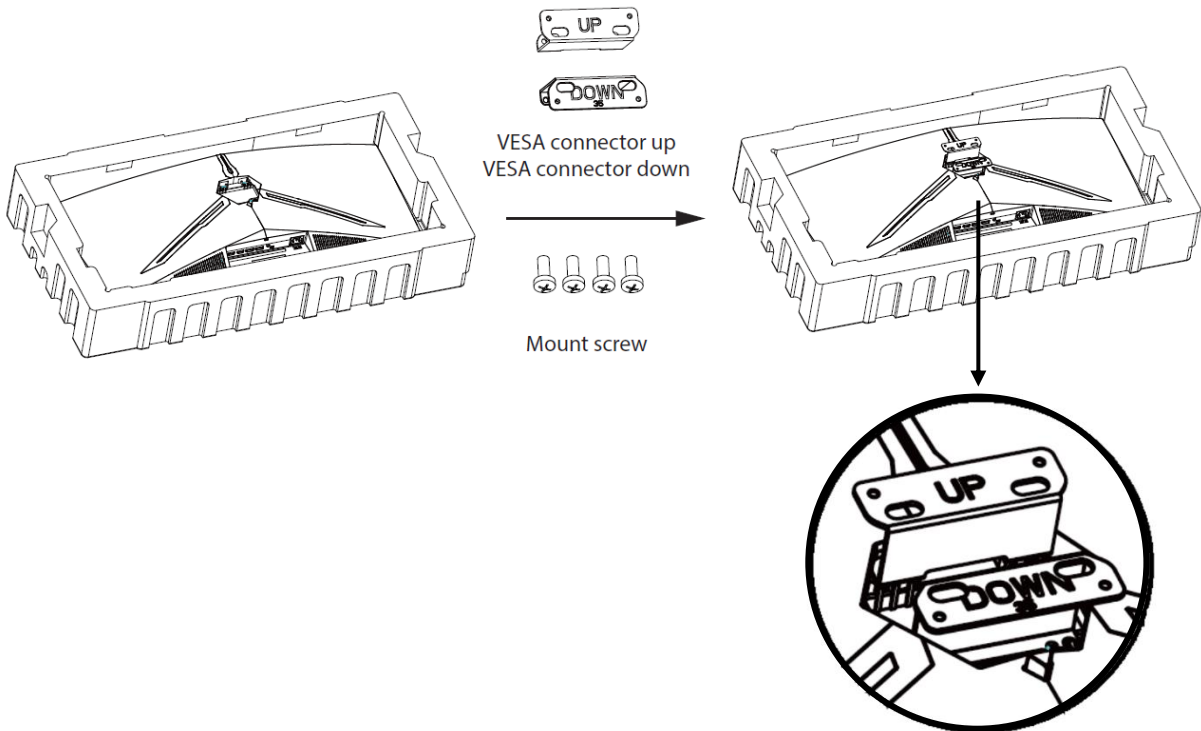


This monitor includes only the mounting screws for attaching to a wall mount. No wall brackets or related accessories are provided.

1. Open the carton package, take out the foam and put it flat on the table top.

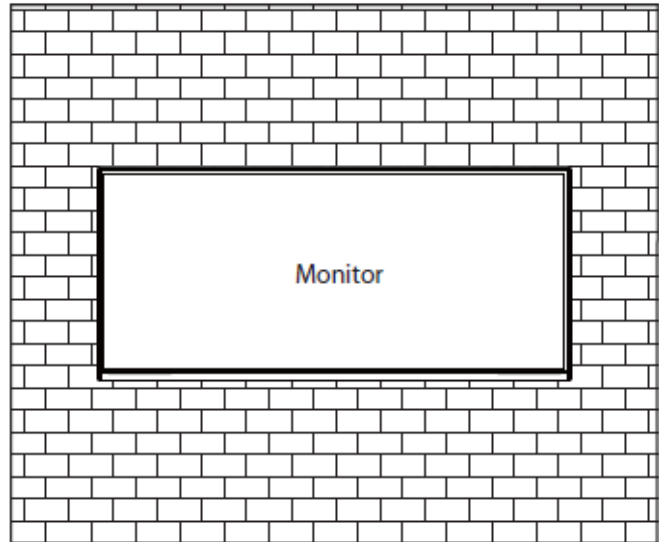
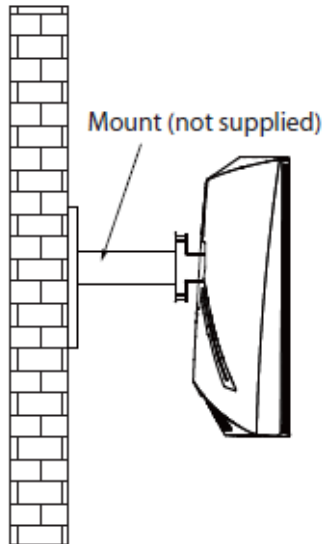


2. If the monitor is already mounted on a stand, remove it.  
Take out the mount adapters from accessories, place the Vesa UP and Down connectors as shown below at the middle of the rear casing. Insert the 4 screws PM4\*16mm into the corresponding screw holes to lock the upper mount adapter and the lower mount adapter respectively.



Note: During disassembly of screws, do not take the screen out from the foam to avoid damage to the screen.

4. Follow the instructions received with your wall mount, stand or accessory and install your monitor on the wall or wall mount as desired.  
Hang the assembled product on a hard wall. Do not pinch the screen with your hands during the hanging processe to avoid damaging the screen.



Note : in order to prevent the moniator from falling when it is used on the wall, please install it properly and do safety protection. Do not place or hang any objects on the wall bracketk, and the wall height should be within 2 meters.

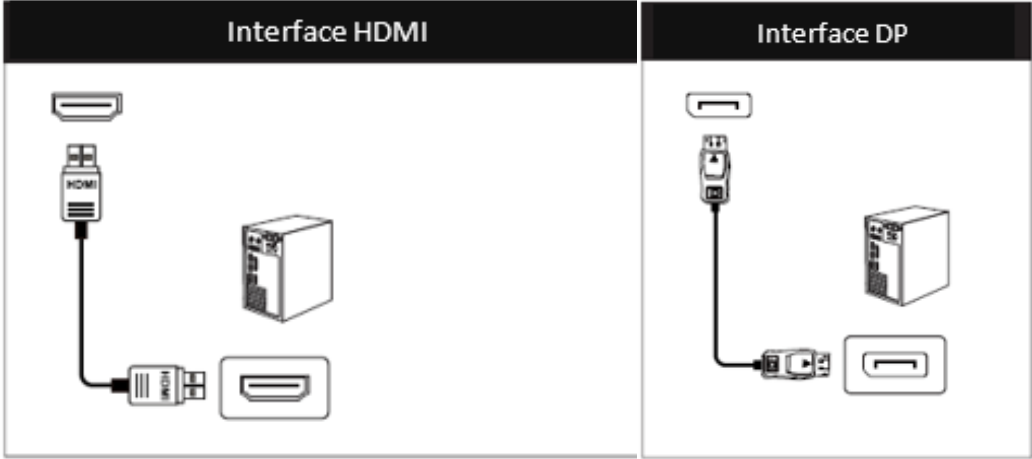


Please do not touch panel in VESA mounting process in case of panel breaking.

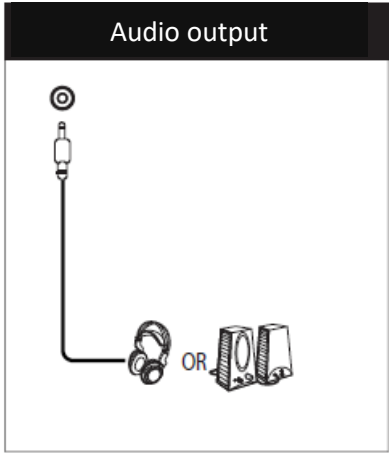


# CONNECTIVITY AND OPTIONS

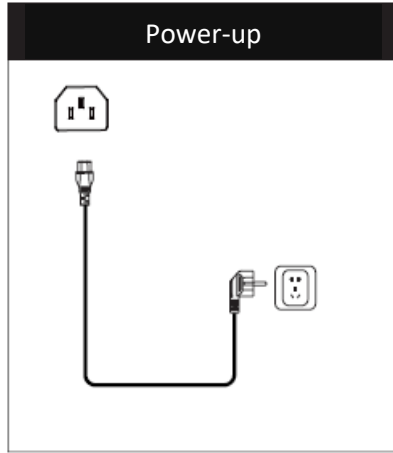
## VIDEO OUTPUT



Connect one end of the included HDMI/DP cable to the corresponding port of the monitor and connect the other end to the corresponding port of the computer.



Connect your headphones or speakers using the 3,5 mm jack directly to your monitor.



Connect the power cable to the power interface of the monitor and plug the other end of the power cable into the power socket.

## **ADAPTATIVE SYNC**

To use this feature, you will need :

1. A computer equipped with the Adaptative Sync technology;
2. An HDMI / DP cable ;
3. Updated graphic drivers.

Connect your computer and monitor with a DP/HDMI cable. After connecting, you may receive a prompt to enable the feature on your computer.

If you do not receive the prompt, you may need to enable the function in your graphics card menu. See your graphics card manufacturer's documentation for instructions on how to turn on and/or enable Adaptative Sync.

## OSD MENU

### PRESENTATION




The OSD Menu may be used to adjust your monitor's settings and appears on screen after turning on the monitor and pressing the **M** button.






When using the monitor for the first time, settings will automatically adjust to optimal settings according to your computer's configuration and parts.

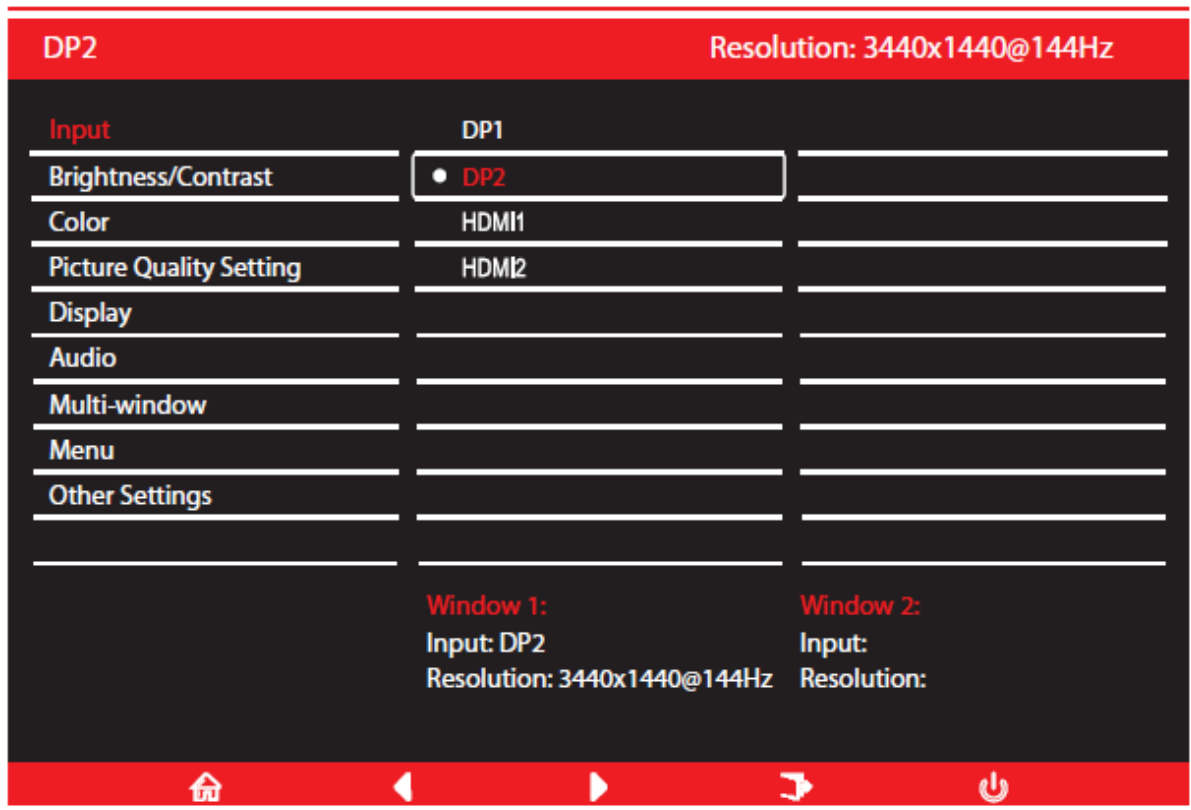
1. Press any of these **( M, ▼, ▲, E, ⏻ )** buttons to activate the navigation window.










	Confirm and enter the main menu
	ECO Mode
	Power switch


	Game Plus
	Color format

2. Press **M** pour  to enter the OSD screen :



3. Press  or  to scroll through the functions.

- Select the desired function, and press  to enter the sub-menu.
- Press  or  to scroll through the sub-menus. And press  to select and confirm the desired function.
- Press  or  to select one option, and press  to confirm settings and exit from the current menu.

4. Press  to exit from the menu screen.

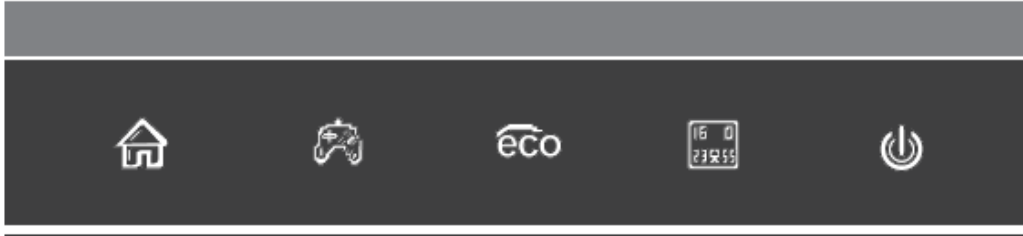
## OSD MENU FUNCTIONS

Main Menu	Sub-menu	Options	Description
INPUT SOURCES	DP1	None	Swap to DP signal
	DP2	None	Swap to DP signal
	HDMI1	None	Swap to HDMI signal
	HDMI2	None	Swap to HDMI signal
BRIGHTNESS / CONTRAST	Brightness	0~100	Adjust display brightness
	Contrast	0~100	Adjust display contrast
	Blacklevel	0~100	Adjust display blacklevel
	DCR	On	Enable DCR function
Off		Disable DCR function	
COLOR SETTING	Gamma	Gamma 1.8	Choose a Gamma correction
		Gamma 2.0	
		Gamma 2.2	
		Gamma 2.4	
		Gamma 2.6	
	Picture mode	Standard, Picture, Movie, Game, FPS, RTS	Choose a display mode according to the use
	Color Temperature	Warm, Cool, USER (Red, Green, Blue)	Adjust temperature color
	Low blue light	0~100	Set blue light filtering level
	Hue	0~100	Adjust the hue level
Saturation	0~100	Adjust the saturation level	
PICTURE	Sharpness	0~100	Adjust display sharpness
	Response time	On, High, Medium, Low	Adjust response time
	Noise Reduction	On, High, Medium, Low	Reduces image noise caused by source signal interference
	Super resolution	On, High, Medium, Low	When the resolution of the display screen is low, this function can be enabled to improve the resolution of the image.
	Dynamic Luminous Control	On, off	Compensates the gray screen and reinforces the expression of the gray scale.
	MPRT	On, Off	Sets the moving picture response time
DISPLAY	Aspect Ratio	Wide Screen, 4 :3, 1 :1, Auto	Selects display proportions

	LedMode	Normal, off, flicker	Choose a type of lighting for the rear LEDs
AUDIO	Mute	On, off	Turn On/ Off the mute mode
	Volume	0-100	Adjust the audio volume
	Audio source	DP 1 / DP 2 HDMI 1 / HDMI 2	Select the audio source
MULTI-WINDOW	Multi-Window (PIP/PBP)	Off, PIP Mode, PBP 2Win Mode	Selects PIP/PBP based on the number of incoming signals
	Sub Win2 Input	DP 1 / 2 (1.4) HDMI 1 / 2 (2.0)	Selects the input for Win2
	PIP Size	Small, Medium, Large	Adjusts the size of the displayed PIP/PBP window
	PIP Position	TopRight, TopLeft, BottomRight, BottomLeft	Adjusts the position of the displayed PIP/PBP window
	Swap		Exchange the sources of PIP/PBP signals
OSD	Language	Englissh, Simplified Chinese, Korean, Russian, Spanish, Japanese, French	Set the language of the OSD
	OSD H-Position	0-100	Adjust the horizontal position of the menu
	OSD V-Position	0-100	Adjust the vertical position of the menu
	OSD Transparency	0-100	Adjust the transparency of the menu
	OSD Time Out	5-100	Set OSD display time on screen after you finish using it
	OSD Rotation	Normal, 90, 180, 270	When the user turns his screen, this function can also rotate the menu for a better viewing angle.
OTHER	DP Version	DP 1.1 / DP 1.2 / DP 1.4	Selects a DP version
	Adaptative Sync	ON / OFF	Enable or Disable the Adaptative Sync mode
	HDR	On/ OFF/Auto Detect	Enable or Disable the HDR function
	Reset		Resets the menu to the default settings

## MODES GAMEPLUS ET ECO

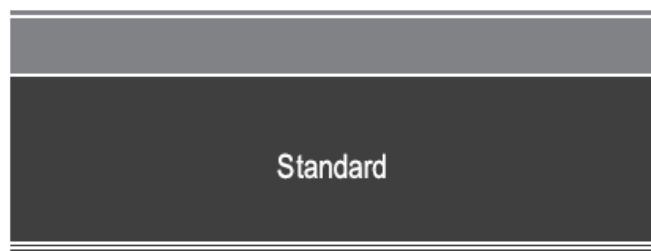
1. Press any of the buttons (M, ▼, ▲, E, ⏻) to activate the navigation window.



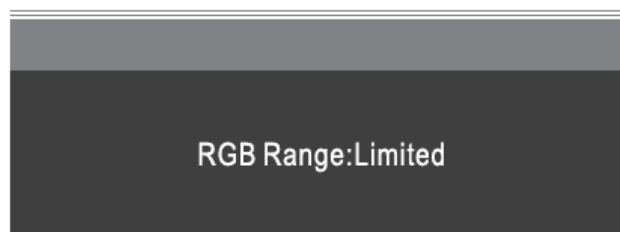
2. Press ▼ (Game Plus icon) to switch to Gameplus. Depending on your needs in-game, chose the corresponding game icon. These game icons are primarily designed to optimize your aim during shooting games, though they can be used for other scenarios.

Game Plus 1 (red)	Game Plus 2 (green)	Game Plus 3 (red)	Game Plus 4 (green)
+	+	●	●

3. Press ▲ (ECO icon) to switch to ECO modes. These modes include **Standard, Photo, Movie, Game, FPS, and RTS** and can be used to optimize settings according to your activity. Standard mode is suitable for most activities.



4. Press E (RGB Range icon) to set RGB range (limited or full) effects.



# **TROUBLESHOOTING**

## **The screen is blank**

- Press the power button to turn the monitor on.
- Confirm the brightness and contrast settings are set normally.
- Check if the indicator light is flashing. If so, there is no signal from your video source.
- If your source is a notebook or laptop, make sure it's powered on and set to mirror or extension mode.

## **The image is out of focus**

- Make sure the video cable is inserted properly at both ends.

## **The screen is flashing**

- Plug monitor into a different power source. Insufficient power can cause this issue.
- Make sure devices such as non-shielded speakers, fluorescent lighting, AC transformers, table fans, etc., are a safe distance away from your screen to avoid magnetic disturbances.

## **The colour bleeds or visual effects appear unusual**

- If your screen is all red or blue, or any colours disappear, check to see that the cable is properly inserted. A loose connection can cause a bad signal.
- Try connecting to another video source for comparison.

## **The screen appears to be scrolling, rolling, or moving unusually**

- Check that your source frequency is within 48-165Hz.
- Reconnect and ensure your video cable is secure.

## **The LED indicator doesn't work**

- Check if the power is on.
- Make sure the power cable is properly connected to the monitor and power source.

## **Plug&Play doesn't seem to work:**

- Check PC requirements to make sure it is compatible with the monitor.
- Check graphics card requirements to make sure it is compatible with the monitor.

## **The image is dim :**

- Adjust the brightness and contrast ratio via the OSD



**The image displays jitter/moire pattern:**

- Nearby electric equipment may be interfering with the monitor.

**Light indicator is on or flashing, but there is no image displayed on screen**

- Check if the monitor power is on.
- Check if the graphics card is installed properly.

**Image position is not centred / the image size is not right**

- Adjust image positioning and size in the OSD menu.

**Colors are not optimized :**

- Adjust RGB color settings or reset color temperature in the OSD.

## TECHNICAL SPECIFICATIONS

Fox SPIRIT PGN340		
DISPLAY	Panel Size	34" / 86.36 cm
	Panel Type	VA
	Curvature	R1500
	Backlight	ELED
	Rear Led	Yes, red
	Brightness	350 cd/m2 Typ. 320 cd/m2 min
	Contrast	3000 :1
	Dynamic contrast ratio	1000000 :1
	Pixel Pitch	0.2318(H)*0.2318(V) mm
	Resolution	UWQHD 3440*1440 pixels
	Display viewing area	797.22(H) x 333.72(V)
	Refresh rate	165Hz
	Aspect Ratio	21/9
	Response time	10 ms (6ms OD / 1 ms MPRT active)
	View angle (CR>10)	H :178°,V:178°
	Anti-glare	Yes
	Colors	16.7M de Colors
	Touch Screen	No
	Horizontal Frequency	69-160 KHz
	Vertical Frequency	48 - 165 Hz
CONNECTORS	VGA	No
	DVI	No
	HDMI	2x HDMI 2.0
	DP	2x DP 1.4
	Mini DP	No
	Audio Input	No
	USB 3.0	No
	Speakers	No
	Audio Output	1*Jack 3,5mm female
ALIMENTATION	Consumption	Normal : 64W Max : 78W Veille≤0.5W
	Power Rating	AC 100-240V~, 50/60Hz 2,0A
	Power Source	AC in
	Operating temperature	0 ~ 40 °C
	Power Cable	1,8 m
OPERATING CONDITIOND	Storage Temperature	-20 ~60 °C
	Humidity	10 ~ 90% RH
PHYSICAL FEATURES	Dimension with Stand(W*H*D)(mm)	808.6*513.5*245.5mm

	Dimension w/o Stand(W*H*D)(mm)	808.6*363.3*129.96mm
	Net weight	7.96 Kg
	Gross weight	10.48 Kg
	Material	Front cover---ABS+PC Back Cover --ABS Arm -- AL+ABS+SGCC
	Tilt	-5°~ 20°
	Pivot	No
	Swivel	Yes -20°~+20°
	Adjustable stand	Distance 100mm(±5) Min. Height 413.5mm(±5) Max. Height 513.5mm (±5)
	VESA	VESA 75x75mm
DISPLAY	OSD Language	7 Languages: English, Simplified Chinese, Korean, Russian, Spanish, Japanese, French.
	Flicker-Free	Yes
	Low blue light	Yes
	DCR	Yes
	Adaptative Sync	Yes
	HDR 400 Ready	Yes
ACCESSORIES	1x Câble HDMI 2.0	1,5m
	1x Câble DP 1.4	1,5m

Should there be a problem with this device, please contact FOX SPIRIT's After-Sales department : [support@fox-spirit.com](mailto:support@fox-spirit.com)

Handling of defective pixels according to ISO 9241-307 Class 1