



**FOX SPIRIT**

**PGM490 V2**

# **USER'S GUIDE**

**Curved Monitor 49"**



## ***Preface***

Every effort has been made to ensure that the information in this document is accurate. However, the manufacturer and the distributor of this product assume no responsibility for any error, omission.

**Please preserve this manual for the life of the equipment.**

**Congratulations on your purchase!**



### **DECLARATION OF CE CONFORMITY MARKING**

Product in accordance with the applicable regulations on the European territory, with the requirements EMC 2014/30/EU and LVD 2014/35/EU.

## **RoHS**

This product is RoHS (Restriction of Hazardous Substances) compliant.

### **INFORMATION ABOUT RECYCLING**



This product bears the selective sorting symbol for waste electrical and electronic equipment (WEEE).

This means that this product must be handled pursuant to European Directive in order to be recycled or dismantled to minimize its impact on the environment.

For further information, please contact your local or regional authorities.

Electronic products not included in the selective sorting process are potentially dangerous for the environment and human health due to the presence of hazardous substances.



The terms HDMI and HDMI High-Definition Multimedia Interface, and the HDMI Logo are trademarks or registered trademarks of HDMI Licensing Administrator, Inc. in the United States and other countries.

# TABLE OF CONTENT

## SAFETY NOTICE

PRECAUTIONS

MAINTENANCE AND CLEANING

SPECIAL NOTES ON LCD MONITORS

## PACKAGE CONTENT

## PRODUCT OVERVIEW

MONITOR BUTTONS

MONITOR PORTS

STAND INSTALLATION

REMOVING THE STAND

WALL MOUNTING

## CONNECTIVITY OPTIONS

POWER SUPPLY

AUDIO OUTPUT

VIDEO OUTPUT

BASIC OPERATION

ADAPTATIVE SYNC

INDICATOR LIGHT

## OSD MENU

PRESENTATION

OSD MENU FUNCTIONS

SWITCH TO GAMEPLUS AND ECO MODE

## PIP (PICTURE IN PICTURE) INPUT INFORMATION

## PBP (PICTURE BY PICTURE) RESOLUTION INFORMATION

## TECHNICAL SPECIFICATIONS

## SAFETY NOTICE

### PRECAUTIONS

- Please read all the instructions carefully before using this product.
- To reduce any fire or electrical risk, do not spill any liquids into the cabinet or use your monitor near water.
- **DO NOT REMOVE MONITOR BACK COVER.** There are no user serviceable parts inside and opening or removing covers may expose you to dangerous shock hazards or other risks.
- Do not place this product on a sloping or unstable cart, stand or table, as it may fall, causing serious damage to the monitor.
- Do not put anything on top of the monitor
- If the power supply is lost, do not try to repair it. Please contact the distributor.
- Before use, make sure all the cables are well plugged and not damaged. In case of any damage, please contact the distributor.
- Only the type of power source indicated on the nameplate applies to this display. In you have any questions on the type of power source you use, please consult the dealer of the display.
- Use an appropriate outlet, complying with the local electrical norms.
- Do not place any heavy objects on the power cord. Damage to the cord may cause shock or fire.
- Do not use monitor in high temperature, humid, dusty, or oily areas
- In case of storm or prolonged non-use, unplug the screen to protect against any overvoltage damage.
- When disconnecting the power cord of display or power adapter, always remember to hold the plug instead of pulling the wire to unplug the power cord.
- Do not insert objects of any kind into the cabinet slots, as they may touch dangerous voltage points, which can be harmful or fatal or may cause electric shock, fire or equipment failure.
- Use a power cord that matches the AC voltage of the power outlet (100 ~ 240 V AC), that has been approved, and complies with the safety standard of your country.
- The power cable connector is the primary means of detaching the system from the power supply. The monitor should be installed close to a power outlet, which is easily accessible.
- Any technical issue, please contact the distributor.



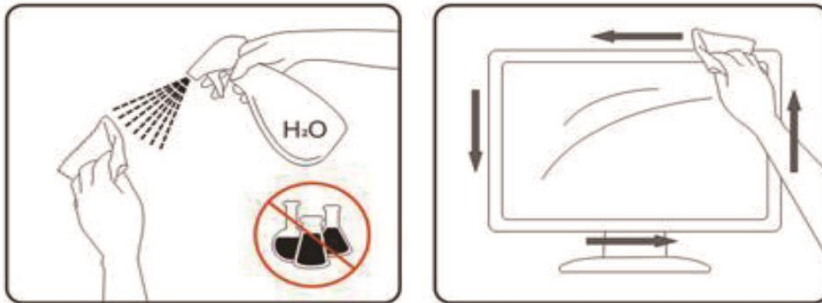
**CAUTION** : DO NOT REMOVE MONITOR BACK COVER. Opening or removing cover may expose you to dangerous voltages and other hazards.



There are no user serviceable parts inside and opening or removing covers may expose you to dangerous shock hazards or other risks. Refer all servicing to qualified service personnel.

## MAINTENANCE AND CLEANING

- For safety reasons, turn off and unplug the display before cleaning.
- Clean the panel surface with a lint-free, non-abrasive cloth. Treat stubborn stains with a wet cloth and a gentle specific solution.
- Avoid using cleaning products containing alcohol or acetone. Use a cleaning solution specifically made for cleaning LCD screens. Never spray any liquid directly on the screen. It could fall into the display and cause an electrical shock.
- When cleaning, ensure that any liquid enters the display housing. Please make sure only soft cloths are used for cleaning purposes. A hard cloth could damage the panel.
- Clean the housing with a slightly humidified cloth and a gentle detergent, then wipe it with a dry and clean cloth.
- Do not insert anything in the unit, and never spill liquid of any kind on it.



## **SPECIAL NOTES ON LCD MONITORS**

The following symptoms are normal with LCD monitor and do not indicate a problem.

- Due to the nature of the fluorescent light, the screen may flicker during initial use. Turn off the Power Switch and then turn it on again to make sure the flicker disappears.
- You may find slightly uneven brightness on the screen depending on the desktop pattern you use.
- Due to the nature of the LCD screen, an afterimage of the previous screen may remain after switching the image, when the same image is displayed for hours. In this case, the screen is recovered slowly by changing the image or turning off the Power Switch for hours.
- If the screen suddenly flashes erratically or the backlighting fails, please contact your dealer. Do not attempt to repair the monitor itself.

**PACKAGE CONTENT**



Monitor x 1



Stand stem x 1

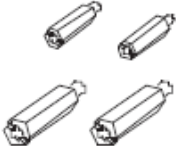


Stand base x1



Screws(PM5\*15) x 4

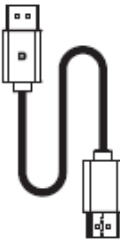
*Note: 3x PM5\*15 screws are needed to fasten stand stem and base. 1x screw is provided as spare part.*



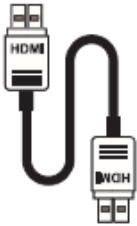
Hexagonal screws x 4  
(L35mm x 2, L17mm x2)



Power Cable x1  
(100-240V~,50/60Hz, 2.0A, 1.8m)



DP CABLE 1.4 1.8m x1



HDMI CABLE 2.0 1.5m

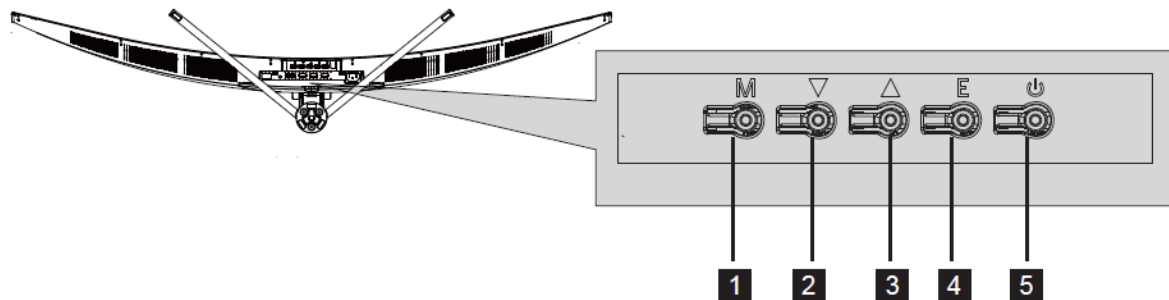


Screwdriver x 1



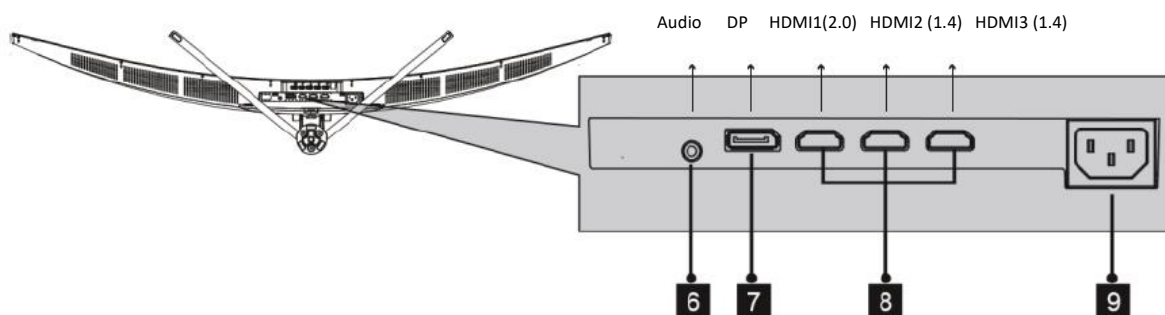
## PRODUCT OVERVIEW

### Monitor Buttons



- 1** **Menu button M:** press to display the OSD menu and access sub-menus
- 2** **▼ Down Button:** Press to navigate downwards in the menu.
- 3** **▲ Up Button:** Press to navigate upwards in the menu
- 4** **Exit Button E:** Press to exit the menu.
- 5** **Power button:** Press to switch your monitor on or off.

### MONITOR PORTS



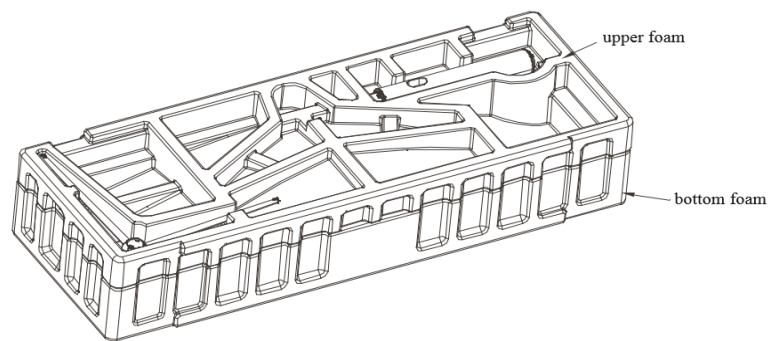
- 6** **Audio Output:** Insert an audio jack connector into this port to receive the audio signal from your monitor.
- 7** **DP Connector:** Insert a DP connector into your computer's port and the second connector into your monitor's port.
- 8** **HDMI Connector:** Insert a HDMI connector into your computer's port and the second connector into your monitor's port.
- 9** **Power Connector:** Connect the power cable to power your monitor.

## STAND INSTALLATION

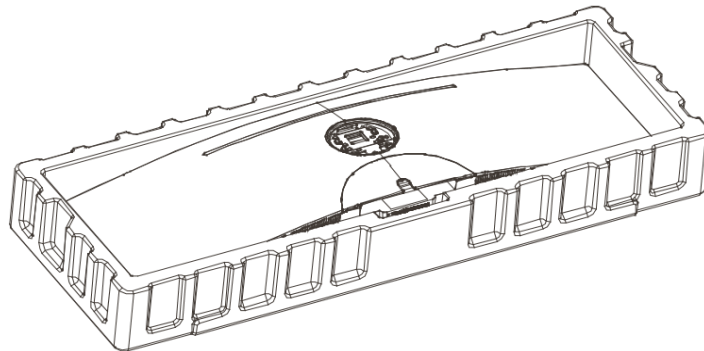


Keep the protective foam under your monitor while installing the stand

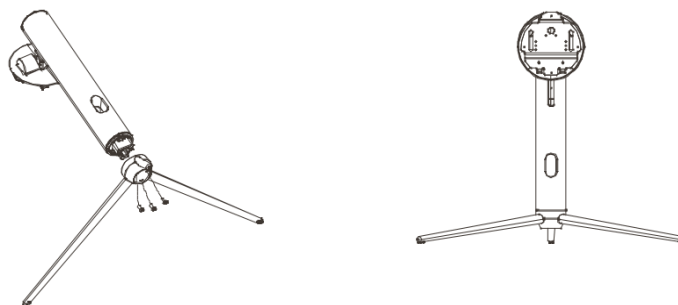
1. Open the package, take out the product out with the protective foam still attached and gently lay it flat on a desk or table.



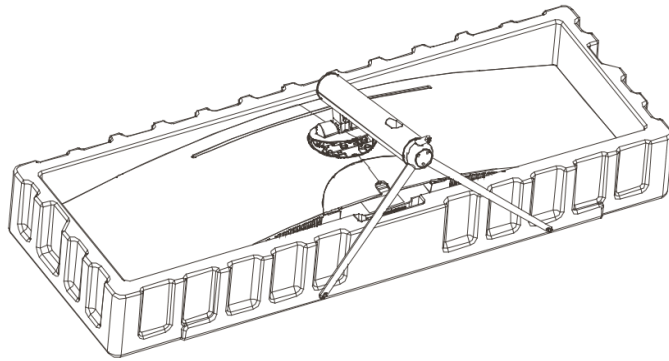
2. Take out main parts of accessory bags.



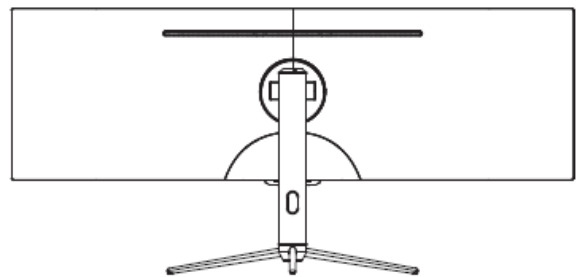
3. Use 3x PM5\*15 screws to fasten stem and base.



4. Place the assembled stand into rotation shaft. Please make sure a tighten assembling, when hearing an audible click from the locking button.

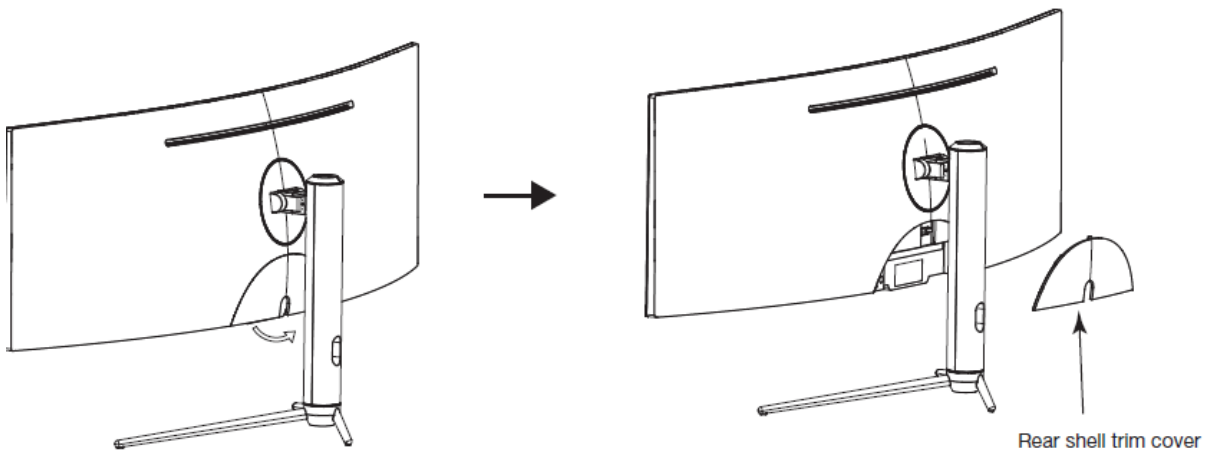


5. Use both hands to stand the assembled machine on a flat desktop.

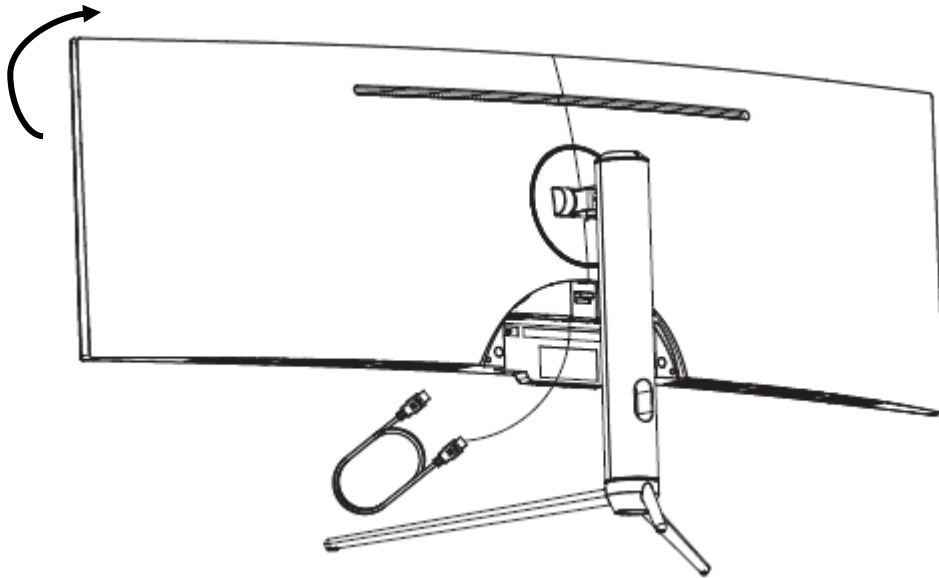


*Note: do not directly press and hold the LCD screen with your hand during the whole machine's erection to prevent the screen from breaking*

6. After the installation is completed, the monitor needs to be connected with wires. As shown on the below picture, follow the direction of the arrow, and then remove the rear shell decorative cover in order to access to the monitor ports.

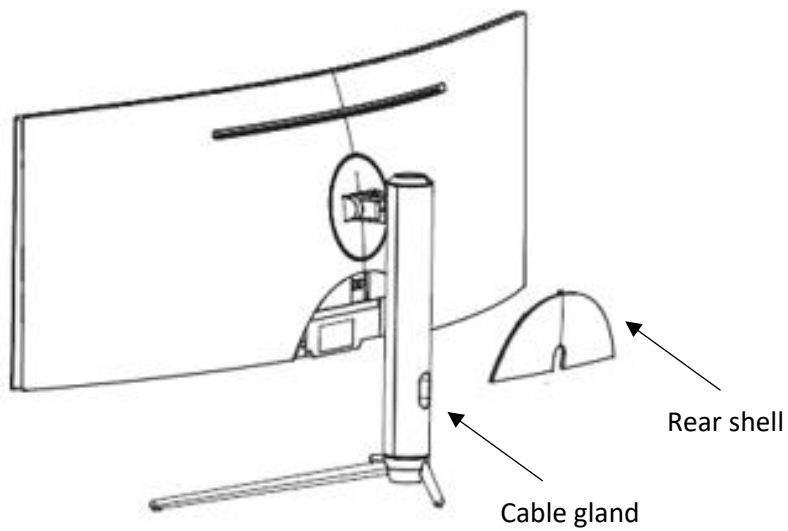


7. Hold the display screen, rotate the display screen, and plug in the signal cable when you see the port of the machine sideways.



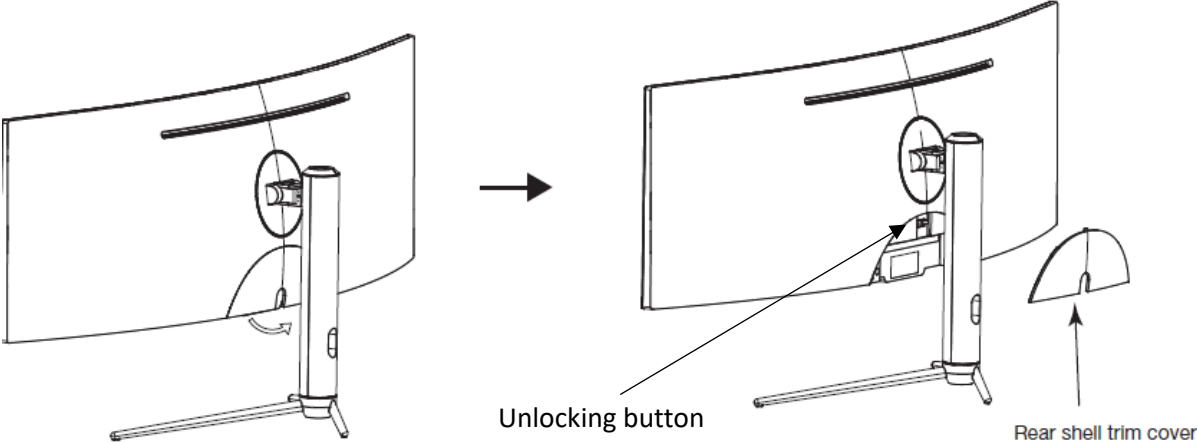
Pay attention to holding the machine with both hands to prevent the machine from falling.

8. For a neat management, run the cables through the hole intended for this purpose, from the outside to the inside, before repositioning the rear shell.



## REMOVING THE STAND

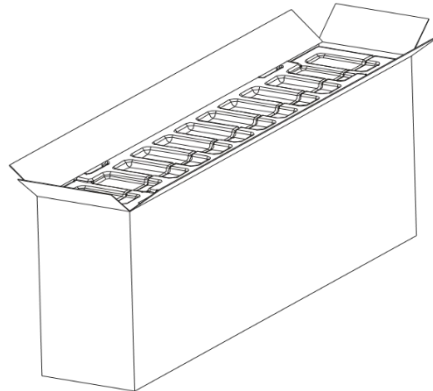
- 1. Remove the rear shell cover
- 2. Press the unlocking button, located under the shell, to unlatch the stand



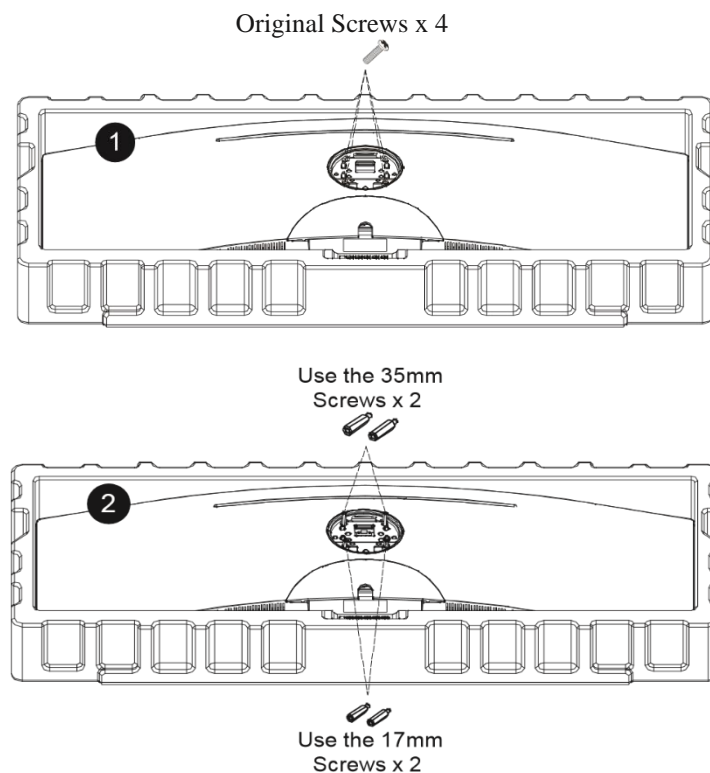
Make sure to place your monitor safely on a flat surface or on a table before unlocking the stand.

## WALL MOUNTING

1. Open the carton, remove the foam, remove the upper foam.

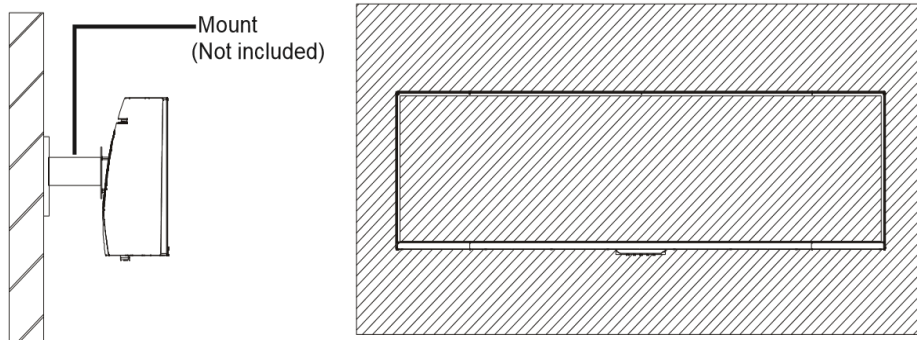


2. Remove the original screws x4 (1) from the opening in the back of the monitor. Follow the directions received with your mount, stand, or accessory and install the monitor on the wall or fixture as desired. Remember to use the included screws when attaching anything to the back of the monitor. Refer to the image (2) for correct screw placement.



- a. Only use the screws (35 mm x 2 pcs, 17mm x 2 pcs) provided with this type of installation.
- b. Do not discard the original screws as these may be needed for future use.

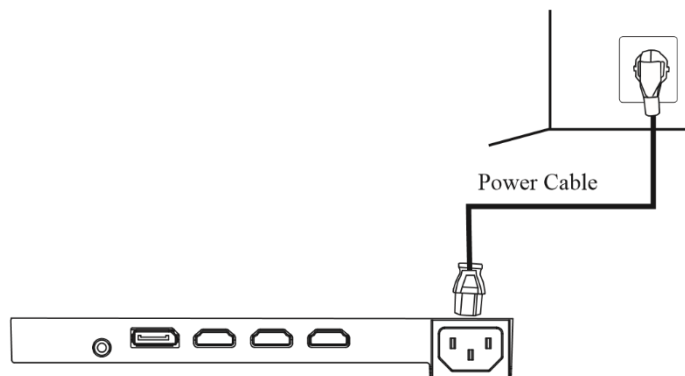
3. Your monitor is now ready to be attached to a wall-mounting bracket. To avoid damages, please do not pinch the screen during bracket installation. Do not place or hang any objects on the wall bracket. Do not put the monitor higher than 2m from the ground.



## CONNECTIVITY OPTIONS

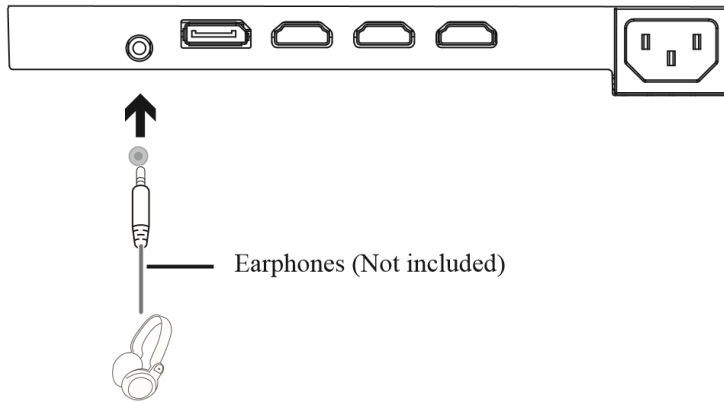
### POWER SUPPLY

Connect the supplied power adapter to the power cable, connect the power adapter to the dedicated port of the monitor, and then plug the remaining end of the power cable into a wall outlet to power your monitor.



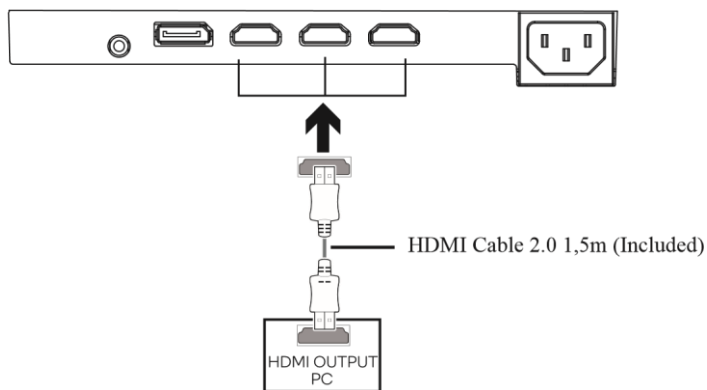
### AUDIO OUTPUT

Plug in your earphones to receive audio signals from your monitor. If your earphones are connected to the monitor and audio devices are connected to your computer at the same time, the audio devices will not produce sound.

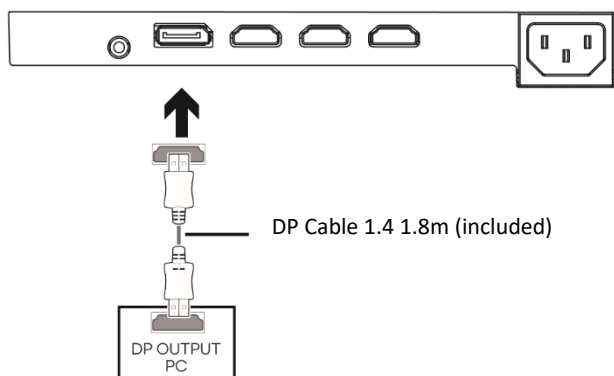


## VIDEO OUTPUT

For the monitor to receive HDMI signals from the computer, use the HDMI cable to connect the monitor to the computer.




For the monitor to receive DP signals from the computer, use the DP cable to connect the monitor to the computer.

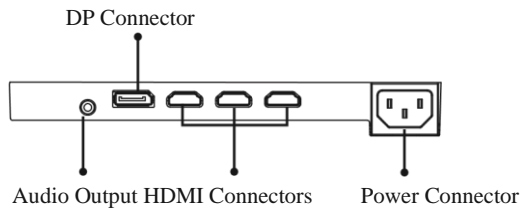




## BASIC OPERATION

 Insert one end of the DP cable into your PC's graphics card. A HDMI cable may also be used.

1. Connect the other end of the cable to the corresponding connector on your monitor.



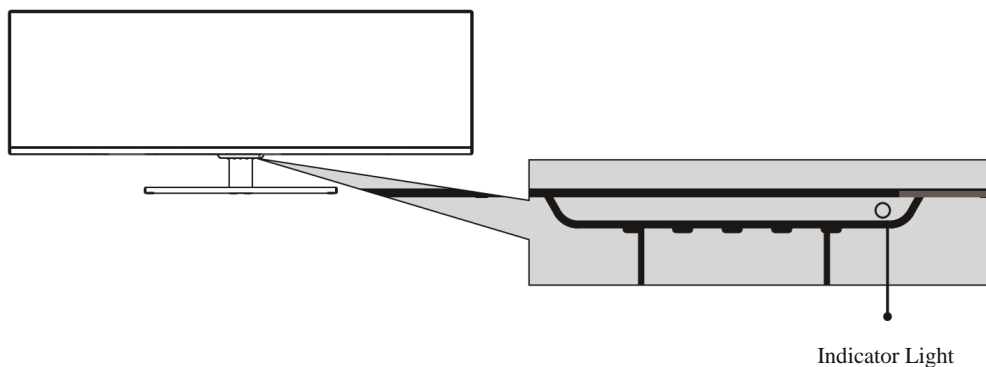
2. Connect the power cable to your monitor then connect the other end to your power source. It is recommended that you use a surge protector with adequate voltage if a wall outlet cannot be reached directly.
3. Locate the power button on the monitor and press it to turn the monitor on.

## ADAPTATIVE SYNC

The feature itself is off by default. In order to use this feature, please note to set the Adaptive sync function in the OSD menu to ON. You must have hardware with Adaptive sync capability, a DP/HDMI cable, and the latest graphic drivers.

To use this feature, connect your computer and monitor with a DP cable. After connecting, you may receive a prompt to enable the feature on your computer. If you do not receive the prompt, you may need to enable the function in your graphics card menu. See your graphics card manufacturer's documentation for instructions on how to turn on and/or enable Adaptive sync.

## INDICATOR LIGHT



Solid blue light indicates power is on and the monitor is operating normally. Flashing blue light indicates no video source, no horizontal or vertical signal has been detected or voltage is low. Please ensure your computer is on and all video cables are fully inserted and/or connected.

## OSD MENU

The On-Screen Display (OSD) Menu may be used to adjust your monitor's settings and appears on screen after turning on the monitor and pressing the **M** button.

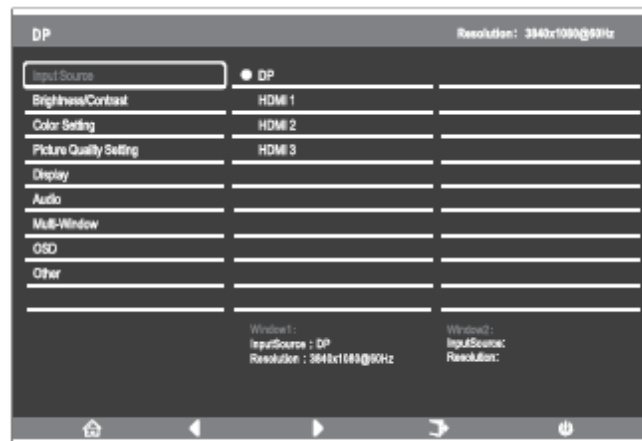


When using the monitor for the first time, settings will automatically adjust to optimal settings according to your computer's configuration and parts etc.

1. Press any one of the buttons (**M**, **▼**, **▲**, **E**, **⏻**) to activate the navigation window (Figure 1).



2. Press **M** button to enter the OSD screen (Figure 2).



3. Press **▼** or **▲** to browse functions.
  - a. Highlight the functions you want to set, and press **M** to enter the sub-menu.
  - b. Press **▼** or **▲** to browse the sub-menu, and press **M** to highlight the functions you want to set.
  - c. Press **▼** or **▲** to highlight the options, and press **M** to confirm the settings and exit the current screen.
4. Press **E** to exit the current screen.

## OSD MENU FUNCTIONS

Main Menu	Sub-Menu	Options	Description
Input Source	HDMI 1 (2.0) HDMI 2 (1.4) HDMI 3 (1.4)	NONE	Switch to HDMI signal input
	DP	NONE	Switch to DP signal input
Brightness/ Contrast	Brightness	0~100	Adjust display brightness
	Blacklevel	0~100	Adjust display blacklevel
	Contrast	0~100	Adjust display contrast
	DCR	On	Turn on DCR function
		Off	Turn off DCR function
Color Setting	Gamma	1.8	Set Gamma add-in
		2.0	
		2.2	
		2.4	
		2.6	
	Picture Mode	Standard, Photo, Movie, Game, FPS, RTS	Set visual mode according to activity
	Color Temperature	Warm, Cool, User	Select color temperature
		Red	0~100
		Green	0~100
		Blue	0~100
	Low Blue Light	0~100	Set blue light filtering level
	Hue	0~100	Adjust hue levels
	Saturation	0~100	Adjust saturation levels
Picture Quality Setting	Sharpness	0~100	Set display sharpness
	Response Time	Off, High, Middle, Low	Adjust response time
	Noise Reduction	Off, High, Middle, Low	Reduce the interference of image noise caused by signal source interference
	Super-Resolution	Off, High, Middle, Low	When the resolution of the display screen is low, this function can be turned on to enhance the image resolution
	Dynamic Luminous Control	On, Off	Compensate for gray scale display screen and strengthen the expression of gray scale
Display	Aspect Ratio	Wide Screen, 4:3, 1:1, Auto	Select on-screen aspect ratio
Audio	Mute	On, Off	Turn mute mode on/off
	Volume	0-100	Adjust audio volume
	Audio Source	HDMI 1 HDMI 2 HDMI 3 DP	Select audio signal input via HDMI or DP
Multi-Window	Multi-Window	Off, PIP Mode, PBP 2Win	Select PIP/PBP modes according to the number of input signals etc.
	Sub Win2 Input	DP, HDMI1, HDMI2, HDMI3	Select according to input signal for PIP/PBP mode

	PIP Size	Small, Medium, Large	Adjust the PIP/PBP display window size
	PIP Position	TopRight, TopLeft, BottomRight, BottomLeft	Adjust the PIP/PBP window position
	Swap	NONE	Swap the two-channel signal source of only the PIP/PBP 2 screens function
OSD	Language	English, 简体中文, 한국어, Русский, Español, 日本語, Français	Set OSD language
	OSD H-Position	0-100	Adjust the OSD's horizontal position
	OSD V-Position	0-100	Adjust the OSD's vertical position
	OSD Transparency	0-100	Set the OSD's overall transparency
	OSD Time Out	5-100	Set how long the OSD remains open after non-use
	OSD Rotation	Normal, 90, 180, 270	When the user tips the display, this function can also tip the OSD to achieve the best display angle
Other	DP Version	DP 1.1; DP 1.2	
	Adaptive Sync	On, Off	Turn the Adaptive Sync function on/off
	HDR	On, Off; Auto Detect	Turn the HDR mode on/off
	Reset	None	Reset monitor configurations

### PIP (Picture in Picture) Input Information

Mode	Home Screen Input Source	Picture in Picture Additional Input Source		Interchange Window	Picture Mode
		DP	HDMI		
Mode 1	DP	X	O	O	O
Mode 2	HDMI	O	X	O	O

Note: "O" means this feature is supported while "X" means it is not supported.

### PBP (Picture by Picture) Resolution Information

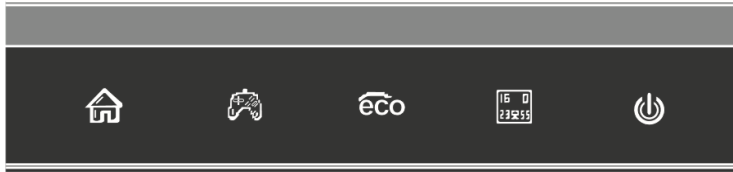
While using this feature and in order to obtain an optimal viewing experience, it is recommended to set both panels to the same resolution.

1	It is recommended to set the first panel to 1080p @ 60Hz resolution.	2	It is recommended to set the second panel to 1080p @ 60Hz resolution.
---	--	---	---

At this resolution, tearing and visual deformation should be minimized.

## SWITCH TO GAMEPLUS AND ECO MODES

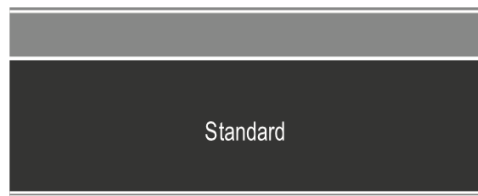
1. Press any of the buttons (M, ▼, ▲, E, ⏻) to activate the navigation window.



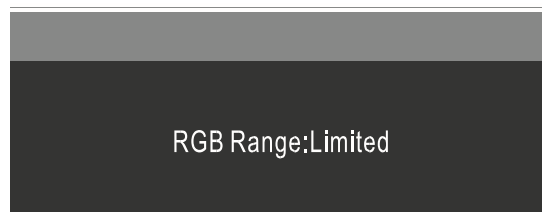
2. Press ▼ (game controller icon) to switch to Gameplus modes. Depending on your needs in-game, choose the corresponding game icon. These game icons are primarily designed to optimize your aim during shooting games, though they can be used for other scenarios.

Game Plus 1 (red)	Game Plus 2 (green)	Game Plus 3 (red)	Game Plus 4 (green)
+	+	●	●

3. Press ▲ (eco icon) switch to Eco modes. These modes include **Standard, Photo, Movie, Game, FPS,** and **RTS** modes and can be used to optimize settings according to your activity. Standard mode is suitable for most activities.



4. Press E (FPS icon) to set RGB range (limited or full) effects



## TECHNICAL SPECIFICATIONS

Fox Spirit 49" PGM490 V2		
<b>SCREEN</b>	Screen size	49"
	Panel	VA
	Curvature	R1800
	Backlight	None
	Brightness	Typ. 350 cd/m2
	Contrast	3000 :1
	Pixel size	0.1038(H) x 0.3114(V)mm
	Résolution	DFHD 3840*1080 Max. 3840*1080@144Hz
	Refresh Rate	144Hz
	Aspect Ratio	32:9
	Response Time	4ms
	View Angle (CR>10)	H:178°,V:178°
	Anti-glare	Yes
	Colors	16.7M
	Touch screen	No
	<b>CONNECTORS</b>	Horizontal Frequency
Vertical Frequency		48 - 144 Hz
VGA		No
DVI		No
HDMI		2x HDMI 1.4 / 1x HDMI 2.0
DP		1x DP 1.2
Mini DP		No
Audio Input		No
USB 3.0		No
<b>POWER</b>	Speakers	No
	Audio Output	1*Jack 3,5mm female
	Consumption	Typ: 72W Max: 100W Standby: ≤0.5W
	Power Rating	100-240V ~ 50/60Hz 2,0A
	Power Source	AC in
	Operating temperature	0 ~ 40 °C
<b>OPERATING CONDITIONS</b>	Power Cable	1,8 m
	Led Indicator	On / Stand-by : Blue
<b>Physical features</b>	Storage temperature	-20 ~60 °C
	Humidity	10 ~ 85% RH
	Product Dimensions (with stand, L*D*H)	1198.54*566.26*286.75mm
	Product Dimensions (without stand, L*D*H)	1198.54*375.62*160.23mm
	Net Weight	11KG
	Gross Weight	15.9Kg
	Material	Front cover---ABS+PC Back cover --ABS Arm --AL+ABS+SGCC+SECC
	Tilt	-5°~ 15°
	Adjustable stand	Distance 95mm (±5m) Min. height: 461.26mm(±5) Max. height: 556.26mm(±5)
	VESA	VESA 75x75mm
<b>DISPLAY</b>	Langue OSD	OSD format 7 Languages: English, Simplified Chinese, Korean, Russian, Spanish, Japanese, French.
	Flicker-Free	Yes
	Anti-Blue light	Yes
	Adaptive Sync	Yes
	HDR 400 Ready	Yes
<b>ACCESSORIES</b>	HDMI Cable 2.0	1,5m
	DP Cable 1.4	1,8m

Should there be a problem with this device, please contact FOX SPIRIT's After-Sales department:

[support@fox-spirit.com](mailto:support@fox-spirit.com)

Processing of the defective pixels according to ISO 9241-307 Classe 1 norm.